

1509 Lift shaft dimension

1360 Lift shaft dimension

Fixing points, 250 N

50 mm pit depth

\*To be adapted on site  
\*\*Customized panel

**Options**  
 Frekv 1x230/240V 50-60Hz 16 A Soft  
 Capacity: 400,00 kg

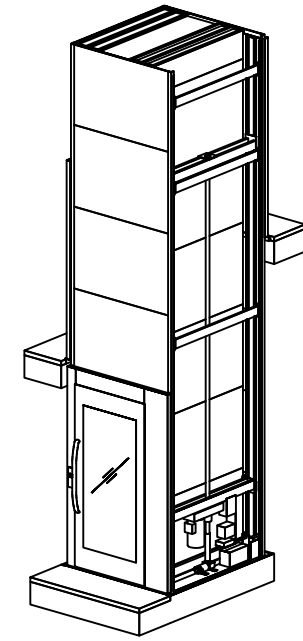
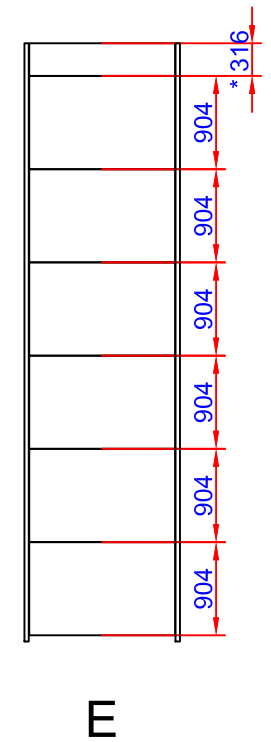
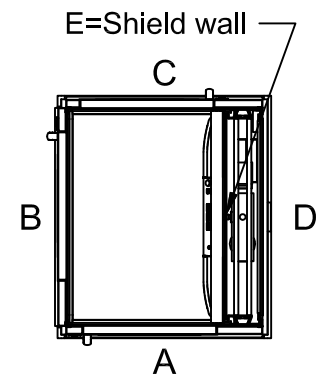
Approved by  
 builder:

European view placement:



Tender no	<b>Principal drawing</b>		
Order no	A5000 - 1000*1467		
	Shaft drawing		
Gen. Tolerances	Date	sheet	Scale:
SS-ISO 27681-1 m	2018-10-31	1 of 7	A3, 1:45

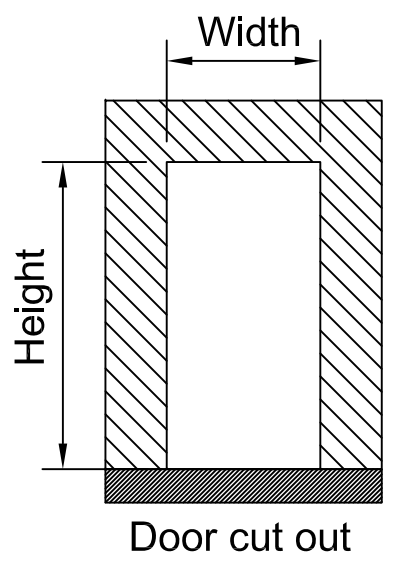
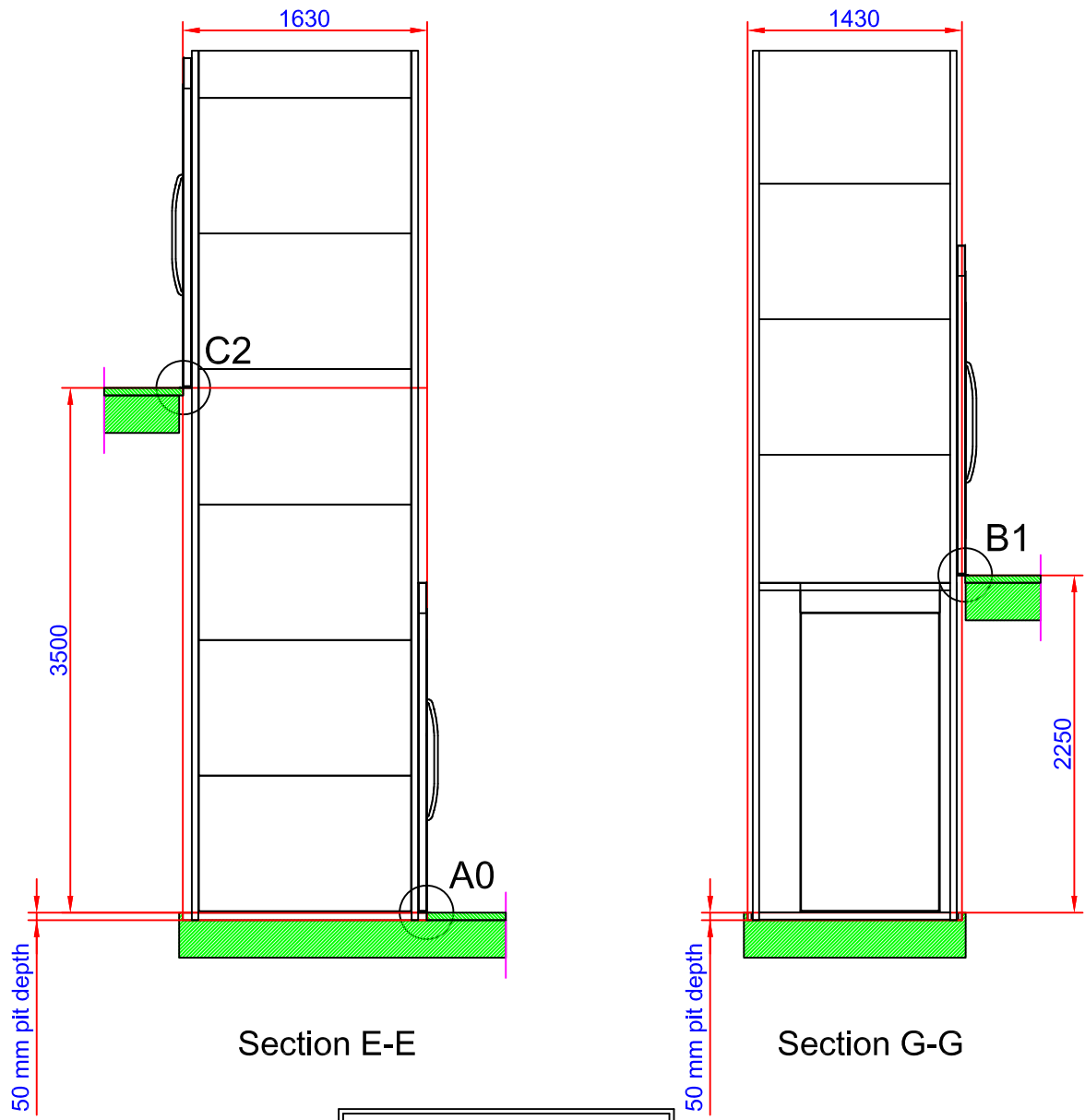
Positioning of machinery:



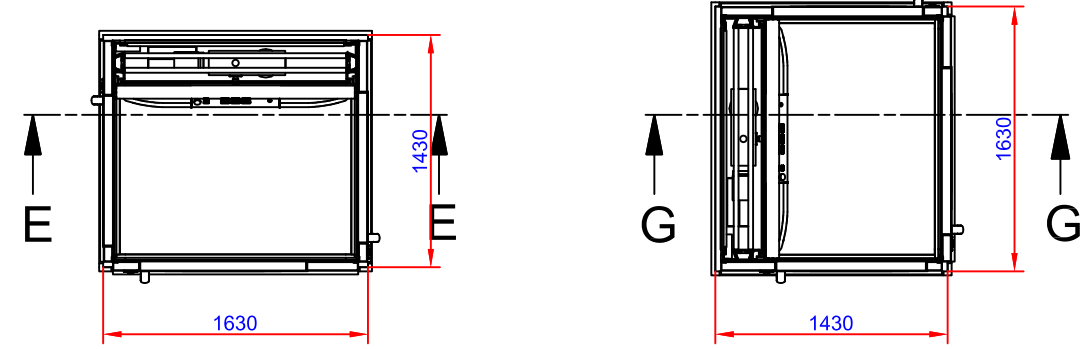
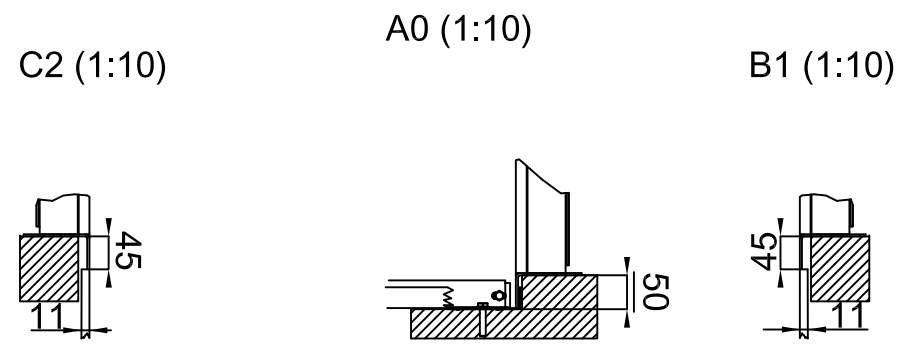
# Shaft cutout sizes

Lift unit installed within a shaft by others

Door front cutout sizes		
Landing	Width	Height
A 0	1430	2250
B 1	1630	2250
C 2	1430	2250



50 mm pit depth + 10 mm, - 0 mm.  
Bottom surface must be flat



Approved by builder: \_\_\_\_\_  
European view placement:



Tender no	Principal drawing A5000 - 1000*1467 Cut out sizes		
Order no			
Gen. Tolerances SS-ISO 27681-1 m	Date 2018-10-31	sheet 2 of 7	Scale: A3, 1:45

**Loads sustained by shaft and platform  
and fixing points bottom frame**

**Recommended positioning of fixing points.  
Loads per fixing point, F=250 N**

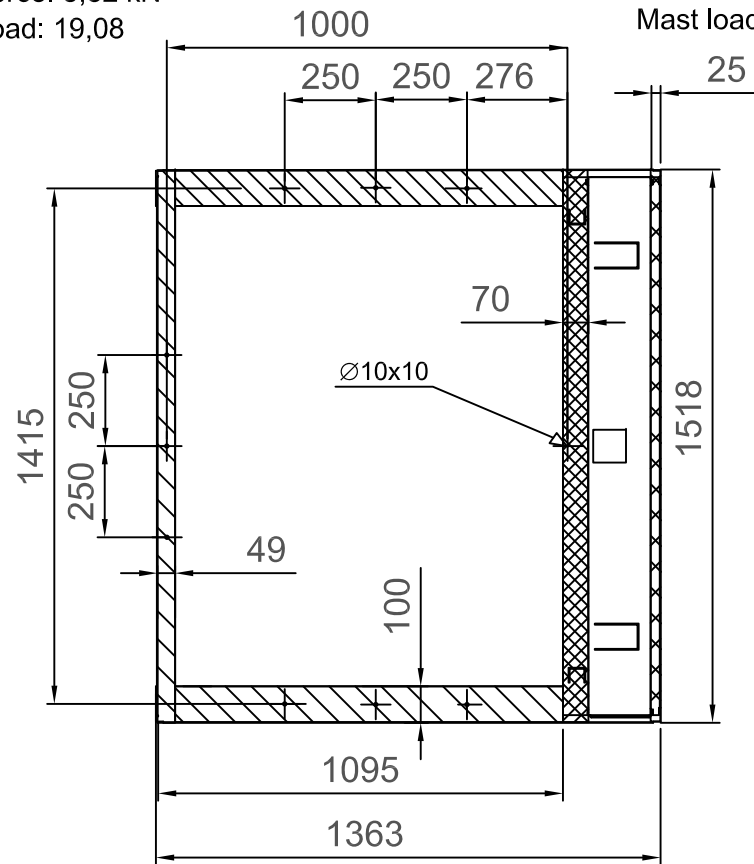
**A (1:5)**



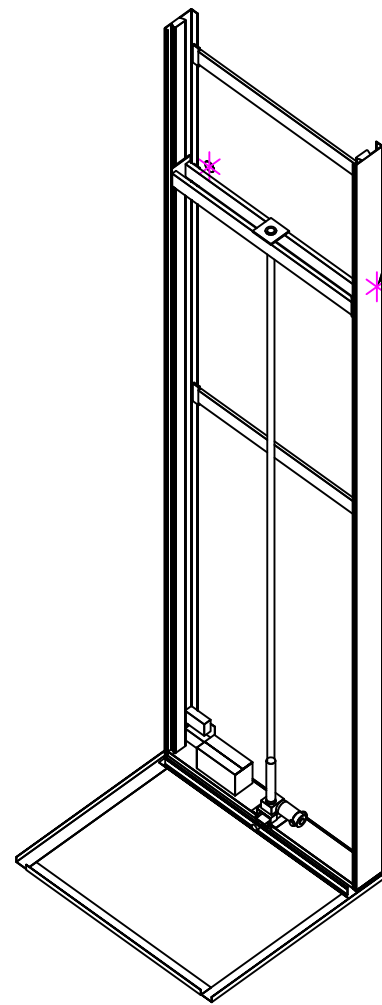
L section force: 5,82 kN  
L section load: 19,08 kN/m<sup>2</sup>



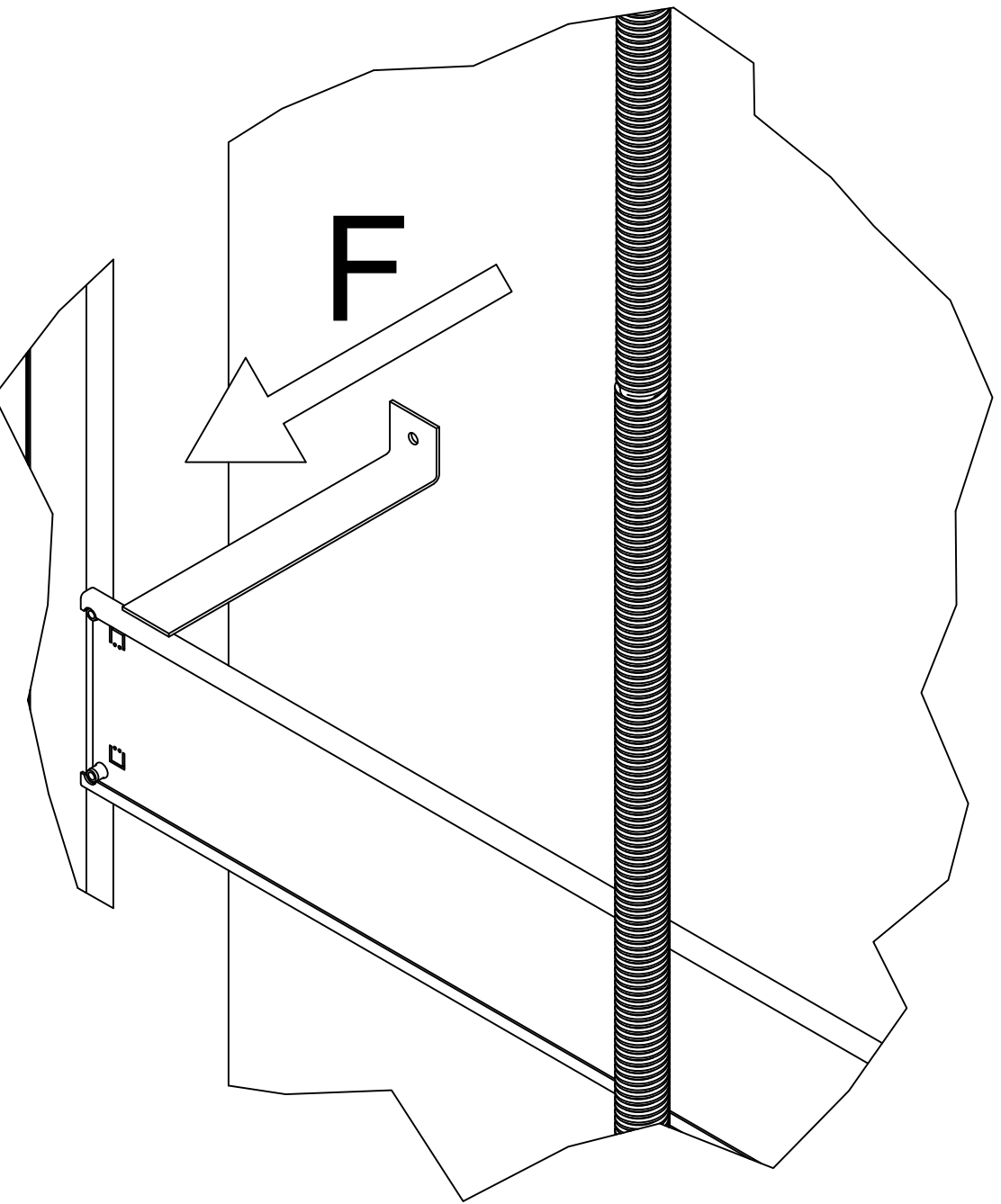
Mast force: 7,19 kN  
Mast load: 57,98 kN/m<sup>2</sup>



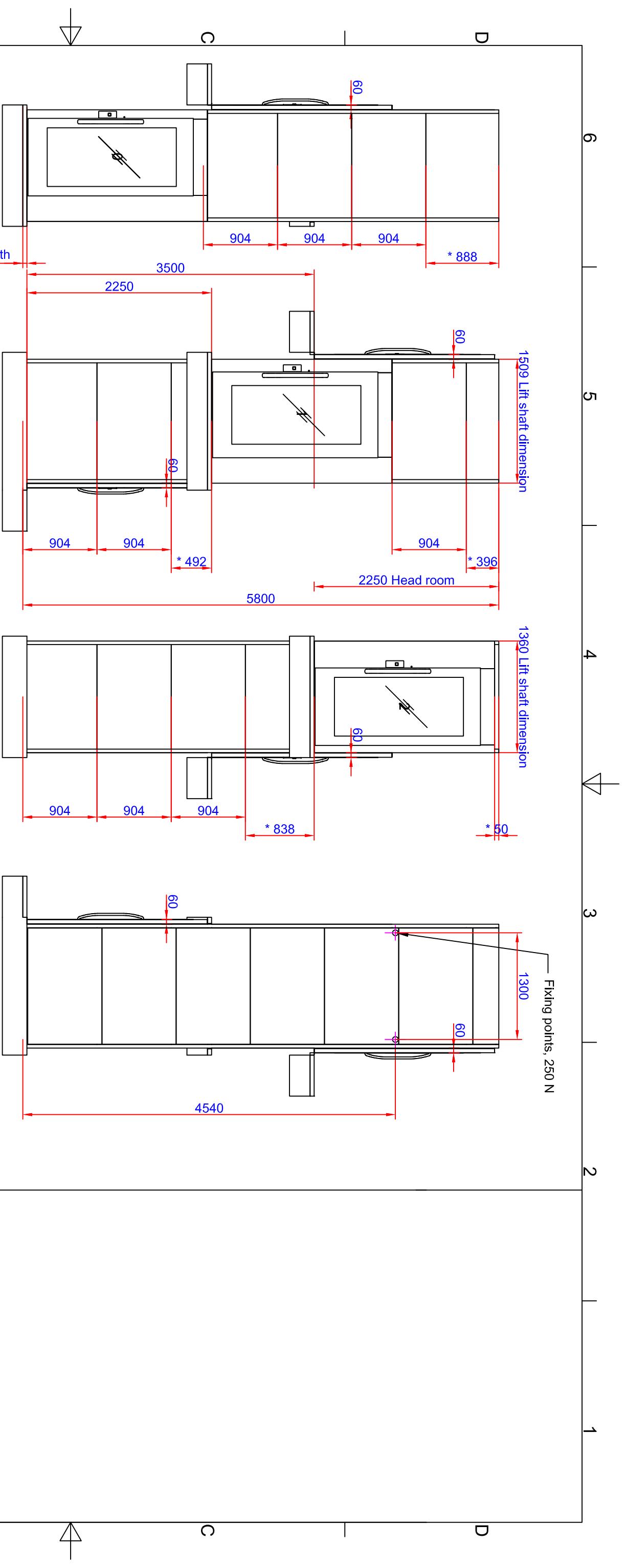
Scale: 1:20



Fixing points, 250 N  
See detail A

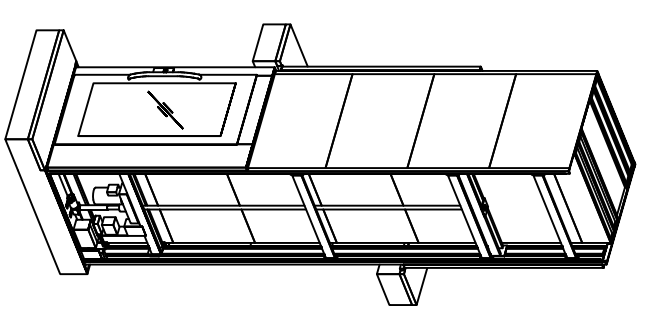
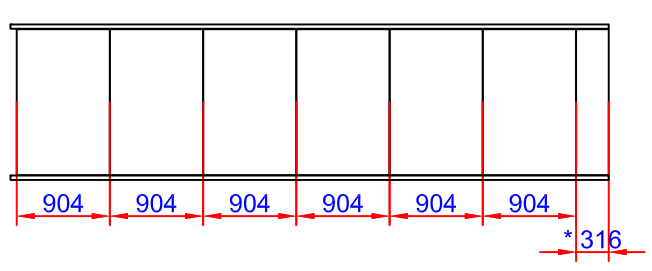
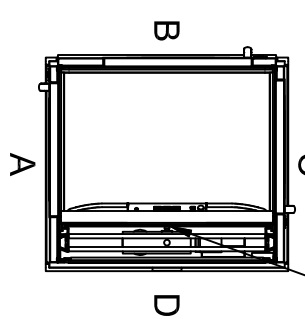


Approved by builder:  _____		Tender no		Principal drawing	
		Order no		A5000 - 1000*1467	
European view placement: 		Gen. Tolerances	Date	sheet	Scale:
		SS-ISO 27681-1 m	2018-10-31	3 of 7	A3, 1:45



**Positioning of machinery:**

E=Shield wall



**Options**  
 Frekv 1x230/240V 50-60Hz 16 A Soft  
 Capacity: 400,00 kg

\*To be adapted on site  
 \*\*Customized panel

Approved by  
 builder:

European view placement:



Tender no

Order no

**Principal drawing**  
 A5000 - 1000\*1467  
 Shaft drawing

Gen. Tolerances  
 SS-ISO 27681-1 m

Date  
 2018-10-31

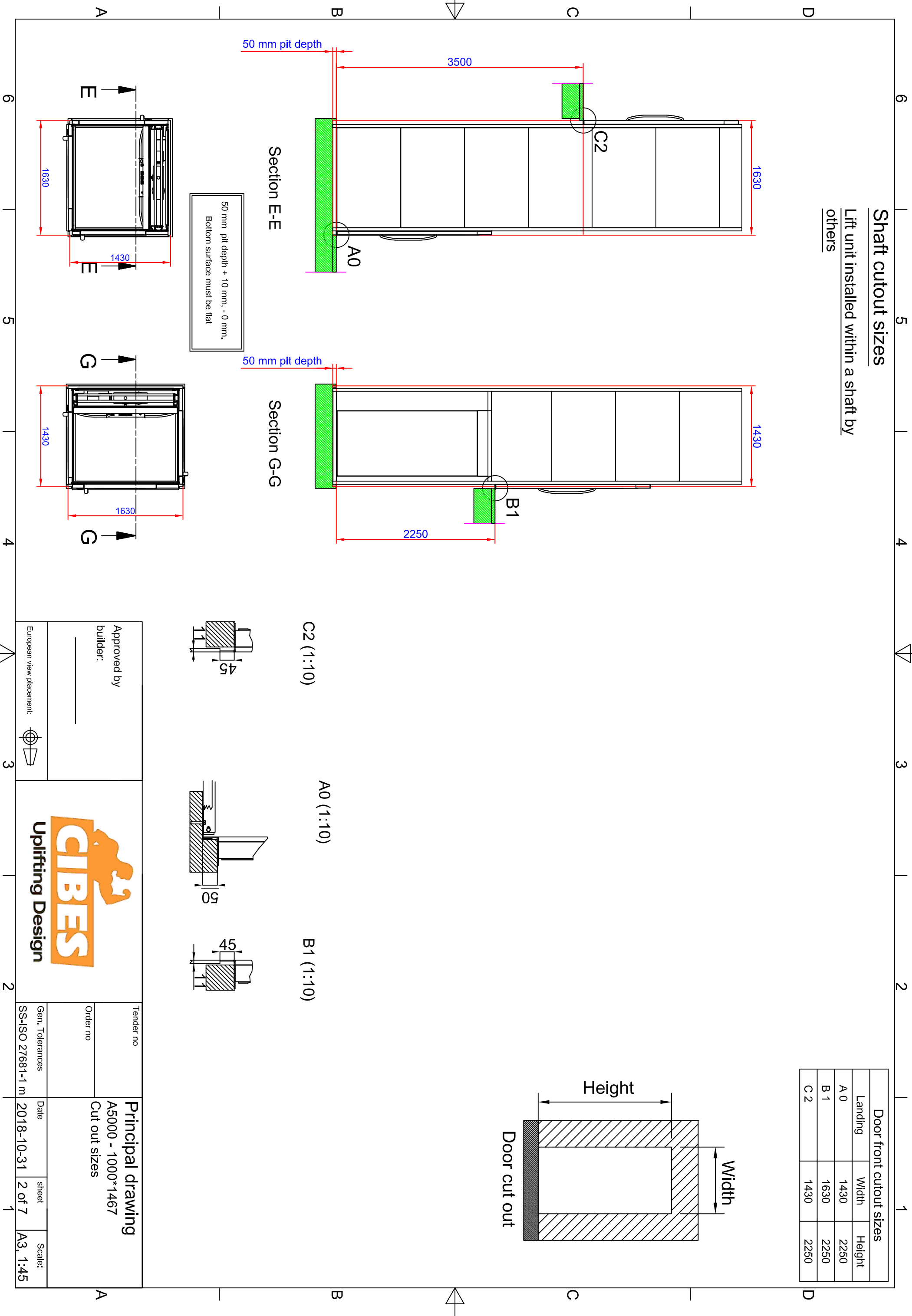
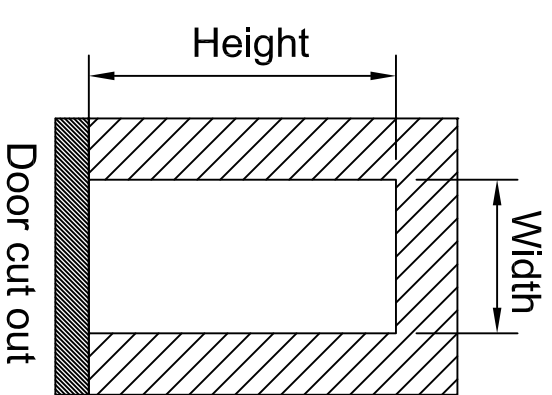
sheet  
 1 of 7

Scale:  
 A3, 1:45

### Shaft cutout sizes

Lift unit installed within a shaft by others

Door front cutout sizes		
Landing	Width	Height
A 0	1430	2250
B 1	1630	2250
C 2	1430	2250



Approved by  
builder: \_\_\_\_\_

European view placement:

Tender no \_\_\_\_\_

Order no \_\_\_\_\_

Gen. Tolerances SS-ISO 27681-1 m

Date 2018-10-31

sheet 2 of 7

Scale: A3, 1:45



**Principal drawing**  
A5000 - 1000\*1467  
Cut out sizes

6 5 4 3 2 1

Loads sustained by shaft and platform  
and fixing points bottom frame

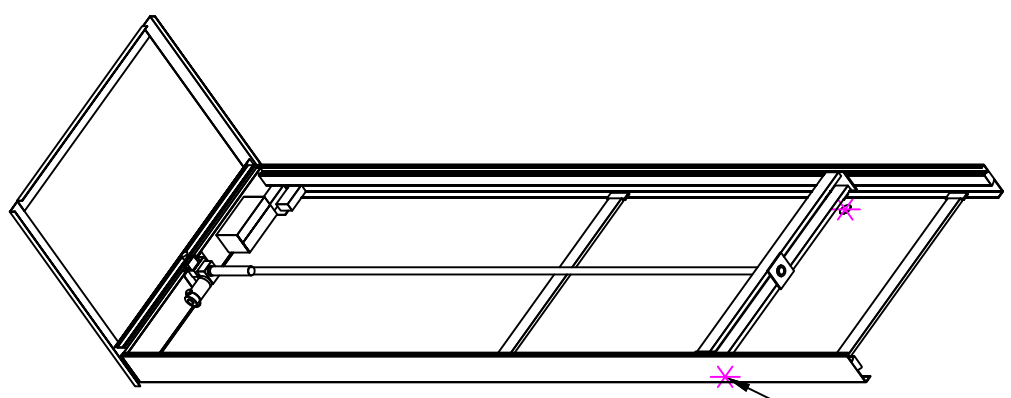
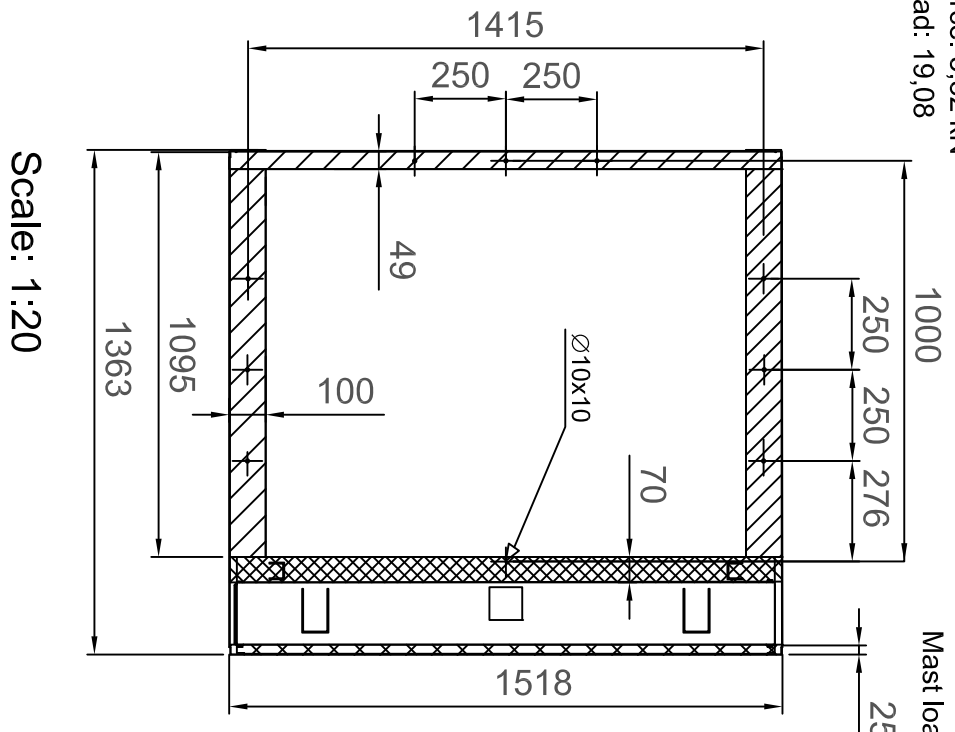


L section force: 5,82 kN  
L section load: 19,08 kN/m<sup>2</sup>

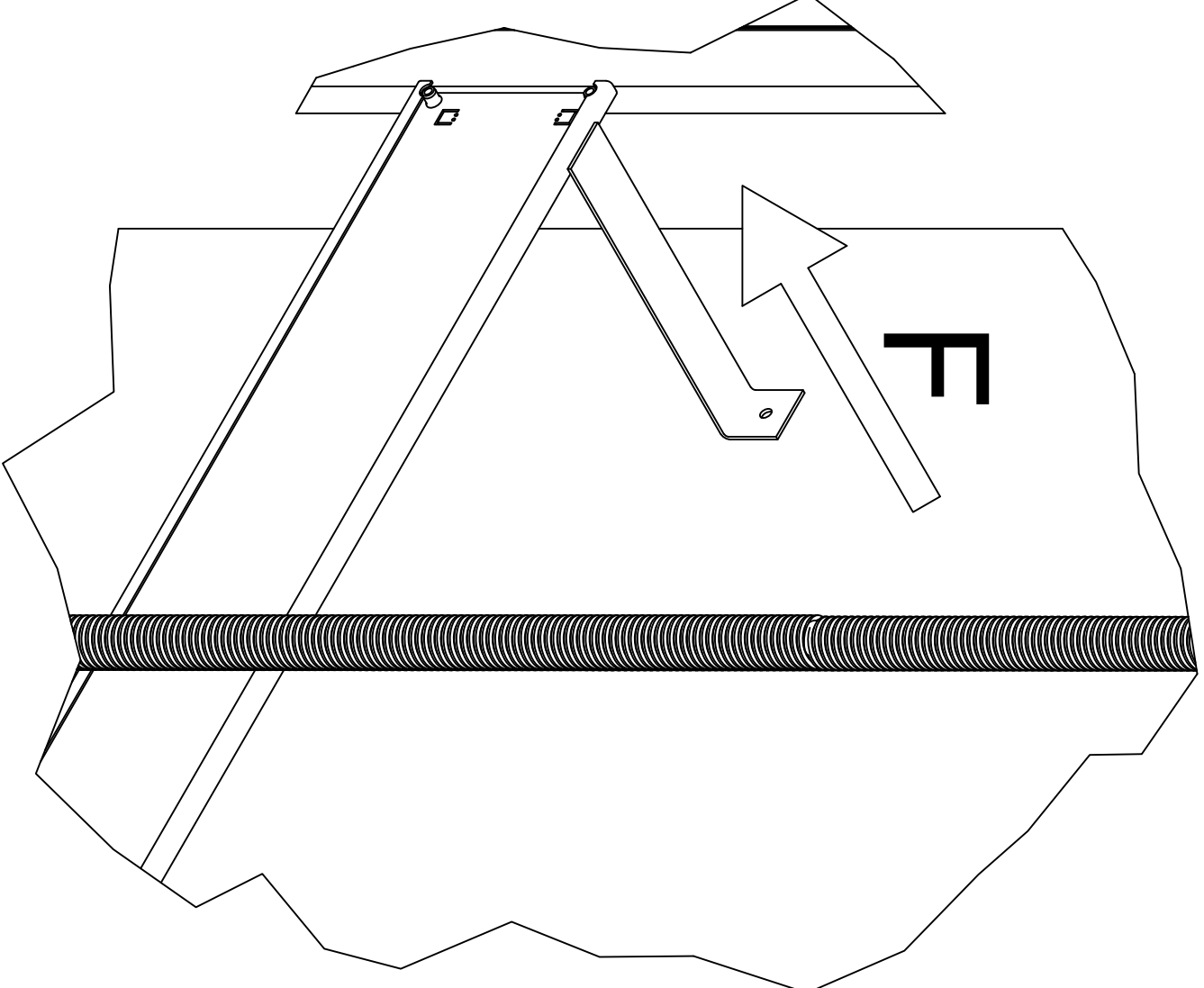


Mast force: 7,19 kN  
Mast load: 57,98 kN/m<sup>2</sup>

Recommended positioning of fixing points.  
Loads per fixing point, F=250 N



Fixing points, 250 N  
See detail A



A ( 1 : 5 )

A B C D A B C D

Approved by  
builder:

Tender no  
Principal drawing  
A5000 - 1000\*1467  
Loads and forces

European view placement:



Order no	Gen. Tolerances	Date	sheet	Scale:
	SS-ISO 27681-1 m	2018-10-31	3 of 7	A3, 1:45