

A

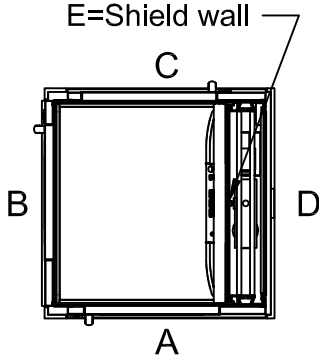
B

C

D

E

Positioning of machinery:



*To be adapted on site
**Customized panel

Options
Frekv 1x230/240V 50-60Hz 16 A Soft
Capacity: 400,00 kg

Approved by
builder:

European view placement:

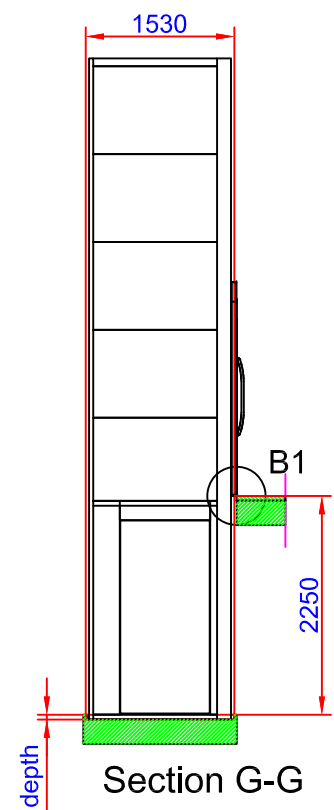
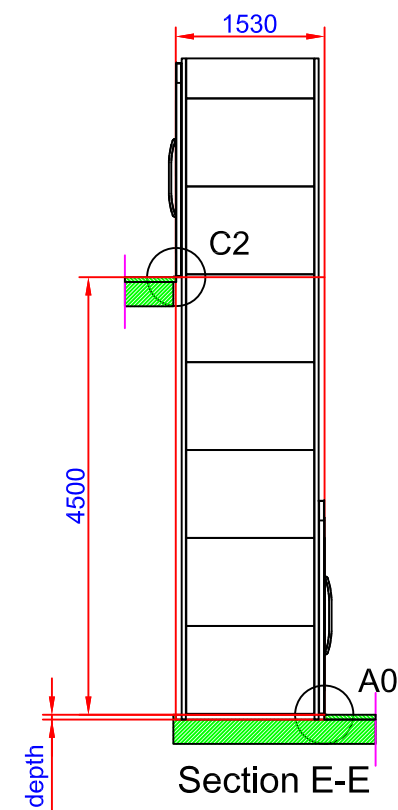
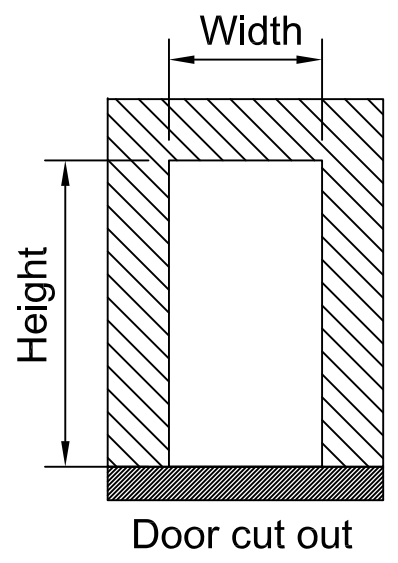


Tender no	Principal drawing		
Order no	A5000 - 1100*1367		
	Shaft drawing		
Gen. Tolerances	Date	sheet	Scale:
SS-ISO 27681-1 m	2018-11-01	1 of 7	A3, 1:60

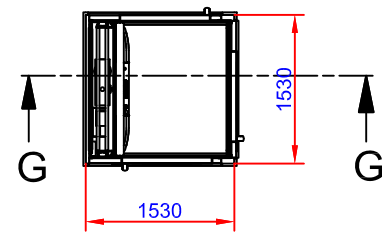
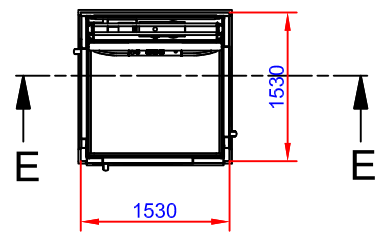
Shaft cutout sizes

Lift unit installed within a shaft by others

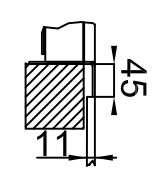
Door front cutout sizes		
Landing	Width	Height
A 0	1530	2250
B 1	1530	2250
C 2	1530	2250



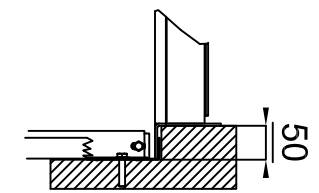
50 mm pit depth + 10 mm, - 0 mm.
Bottom surface must be flat



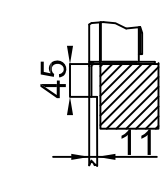
C2 (1:10)



A0 (1:10)



B1 (1:10)




Approved by builder:

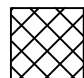
European view placement:

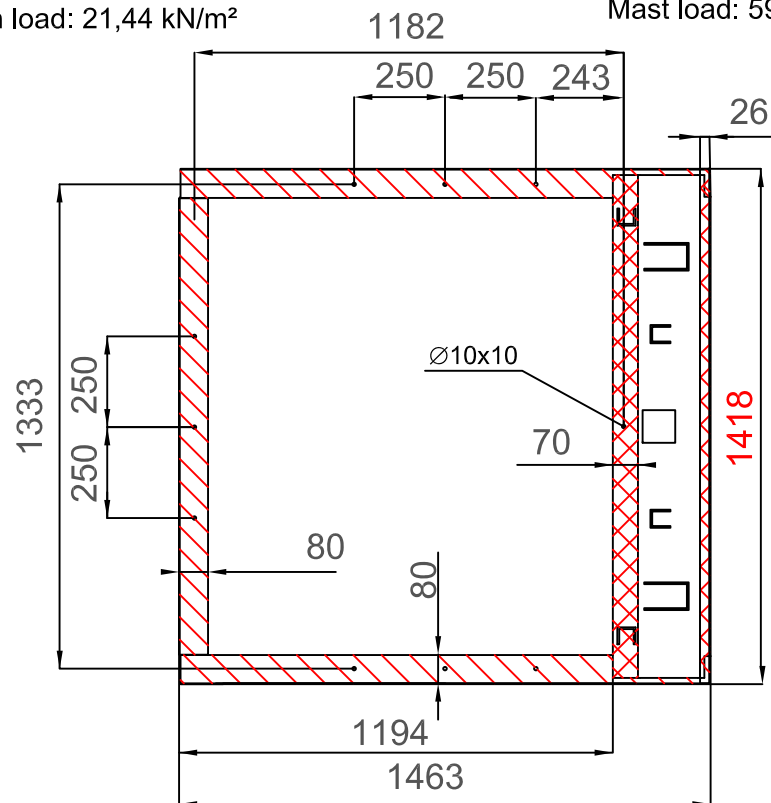


Tender no	Principal drawing A5000 - 1100*1367 Cut out sizes		
Order no			
Gen. Tolerances SS-ISO 27681-1 m	Date 2018-11-01	sheet 2 of 7	Scale: A3, 1:60

Loads sustained by shaft and platform
and fixing points bottom frame

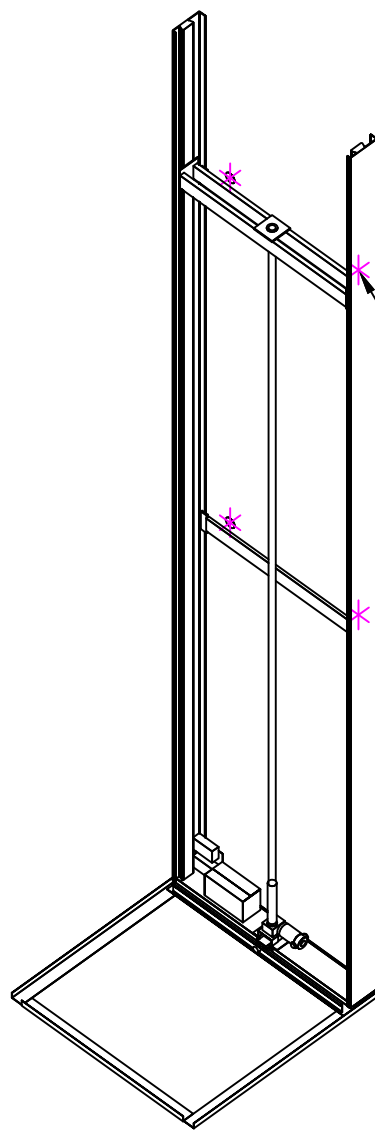
 L section force: 6,54 kN
L section load: 21,44 kN/m²

 Mast force: 7,32 kN
Mast load: 59,03 kN/m²



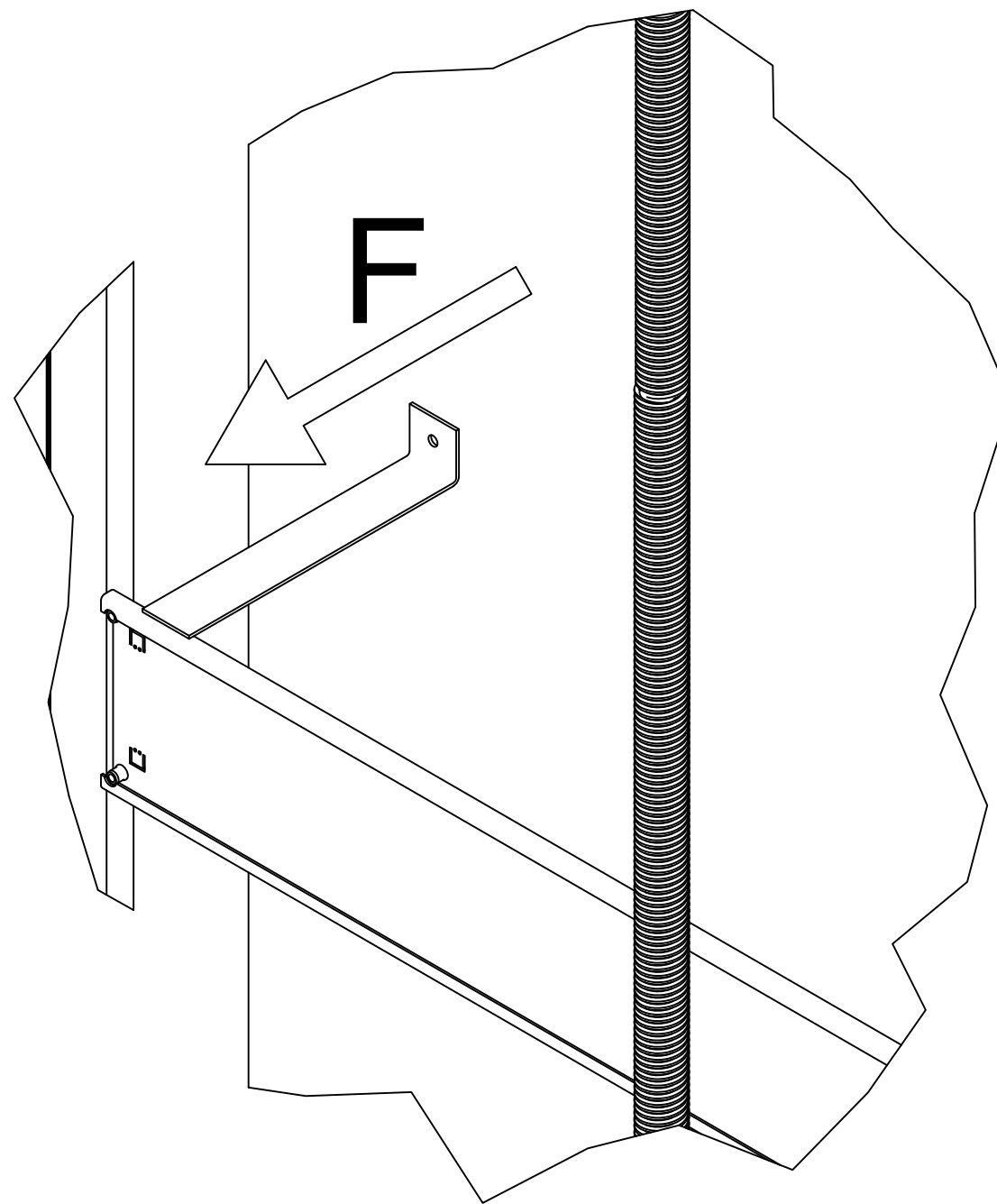
Scale: 1:20


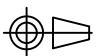
Recommended positioning of fixing points.
Loads per fixing point, F=250 N

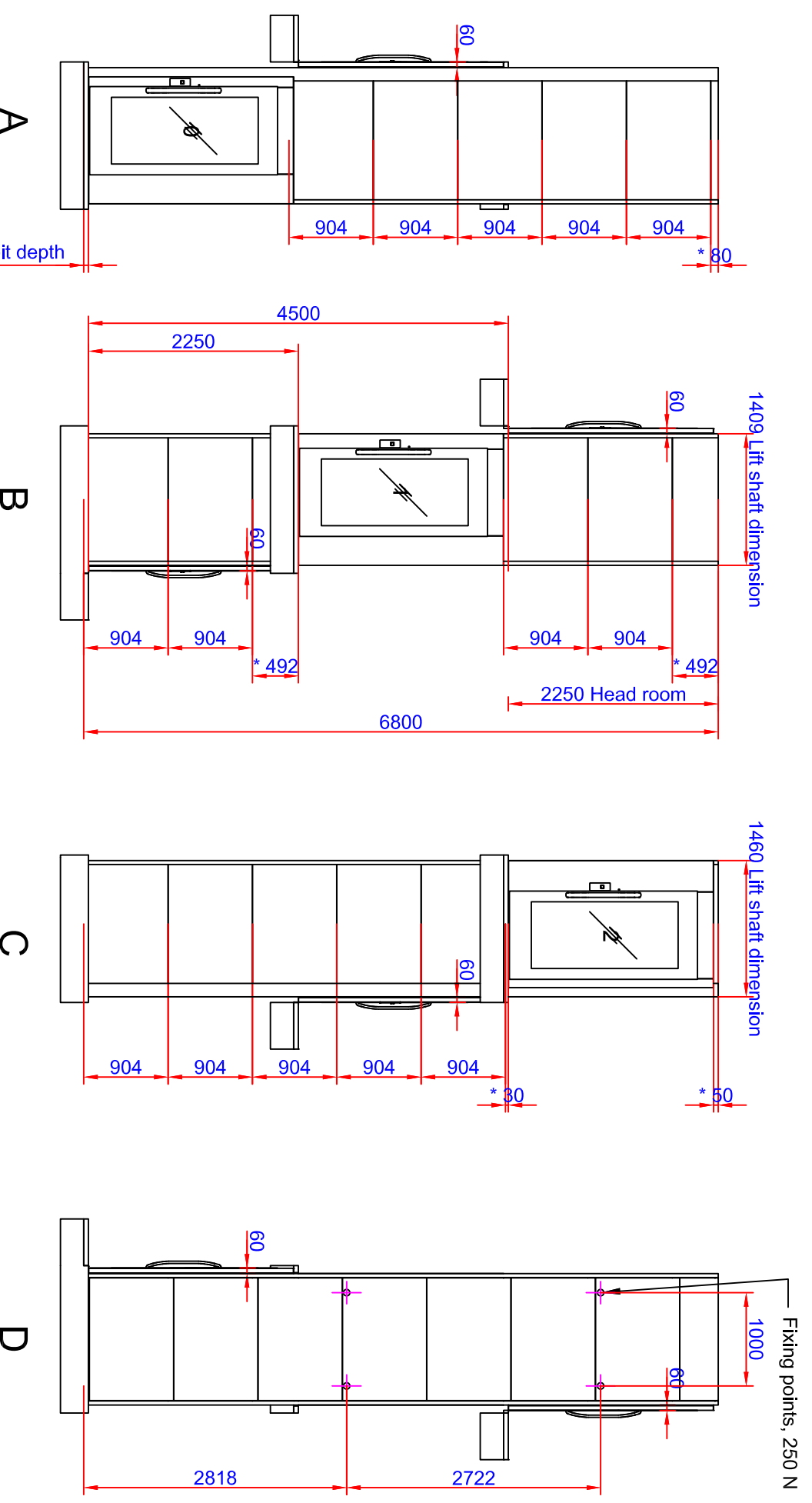


Fixing points, 250 N
See detail A

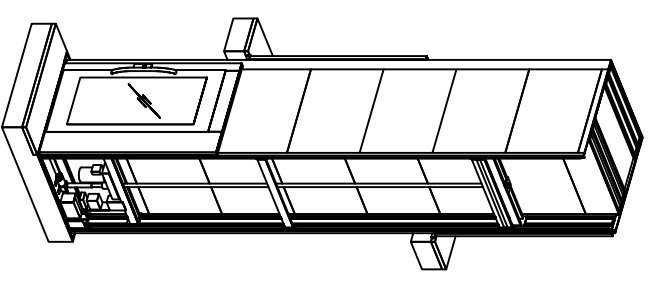
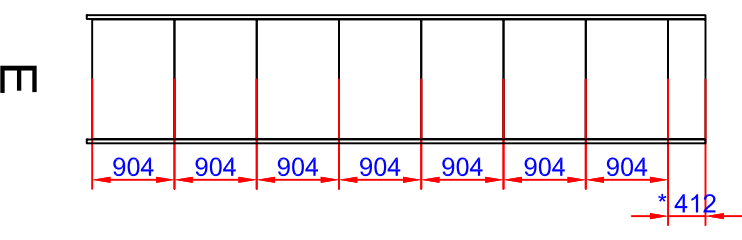
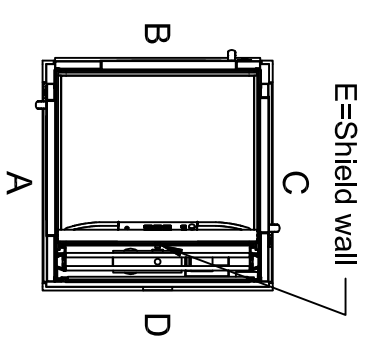
A (1:5)



Approved by builder: _____		Tender no		Principal drawing A5000 - 1100*1367 Loads and forces	
		Order no			
European view placement: 	Gen. Tolerances SS-ISO 27681-1 m	Date 2018-11-01	sheet 3 of 7	Scale: A3, 1:60	



Positioning of machinery:



Options
 Frekv 1x230/240V/ 50-60Hz 16 A Soft
 Capacity: 400,00 kg

*To be adapted on site
 **Customized panel

Approved by
 builder:

European view placement:



Tender no

Order no

Principal drawing
 A5000 - 1100*1367
 Shaft drawing

Gen. Tolerances
 SS-ISO 27681-1 m

Date
 2018-11-01

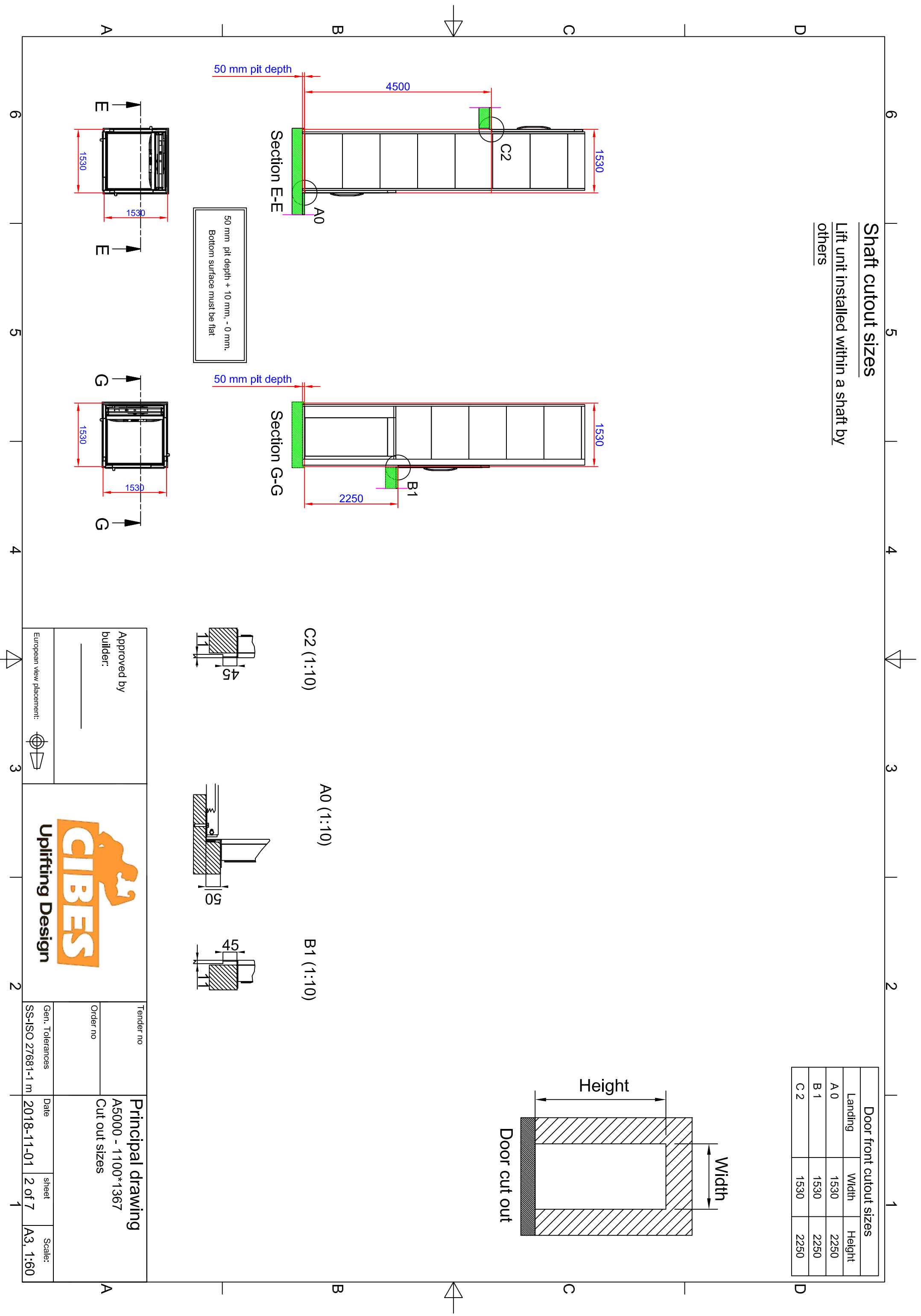
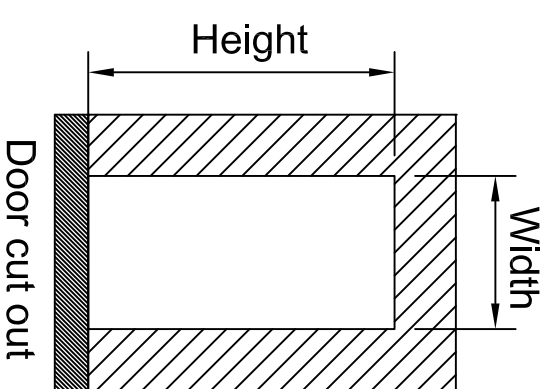
sheet
 1 of 7

Scale:
 A3, 1:60

Shaft cutout sizes

Lift unit installed within a shaft by others

Door front cutout sizes		
Landing	Width	Height
A 0	1530	2250
B 1	1530	2250
C 2	1530	2250



Approved by
builder:



Tender no
Order no
Principal drawing
A5000 - 1100*1367
Cut out sizes

European view placement:

Gen. Tolerances
SS-ISO 27681-1 m

Date
2018-11-01
sheet
2 of 7
Scale:
A3, 1:60

6 5 4 3 2 1

Loads sustained by shaft and platform
and fixing points bottom frame

Recommended positioning of fixing points.
Loads per fixing point, $F=250\text{ N}$

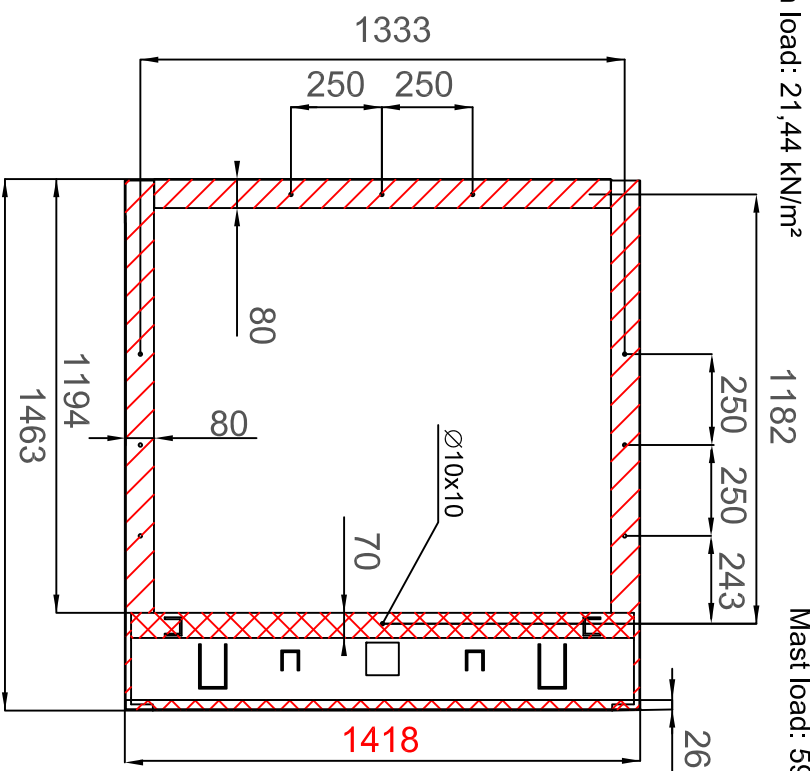
A (1 : 5)



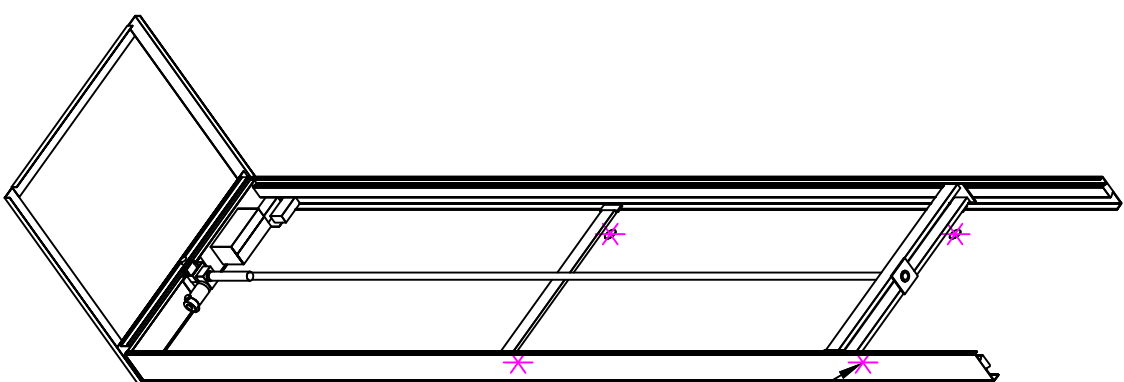
L section force: 6,54 kN
L section load: 21,44 kN/m²



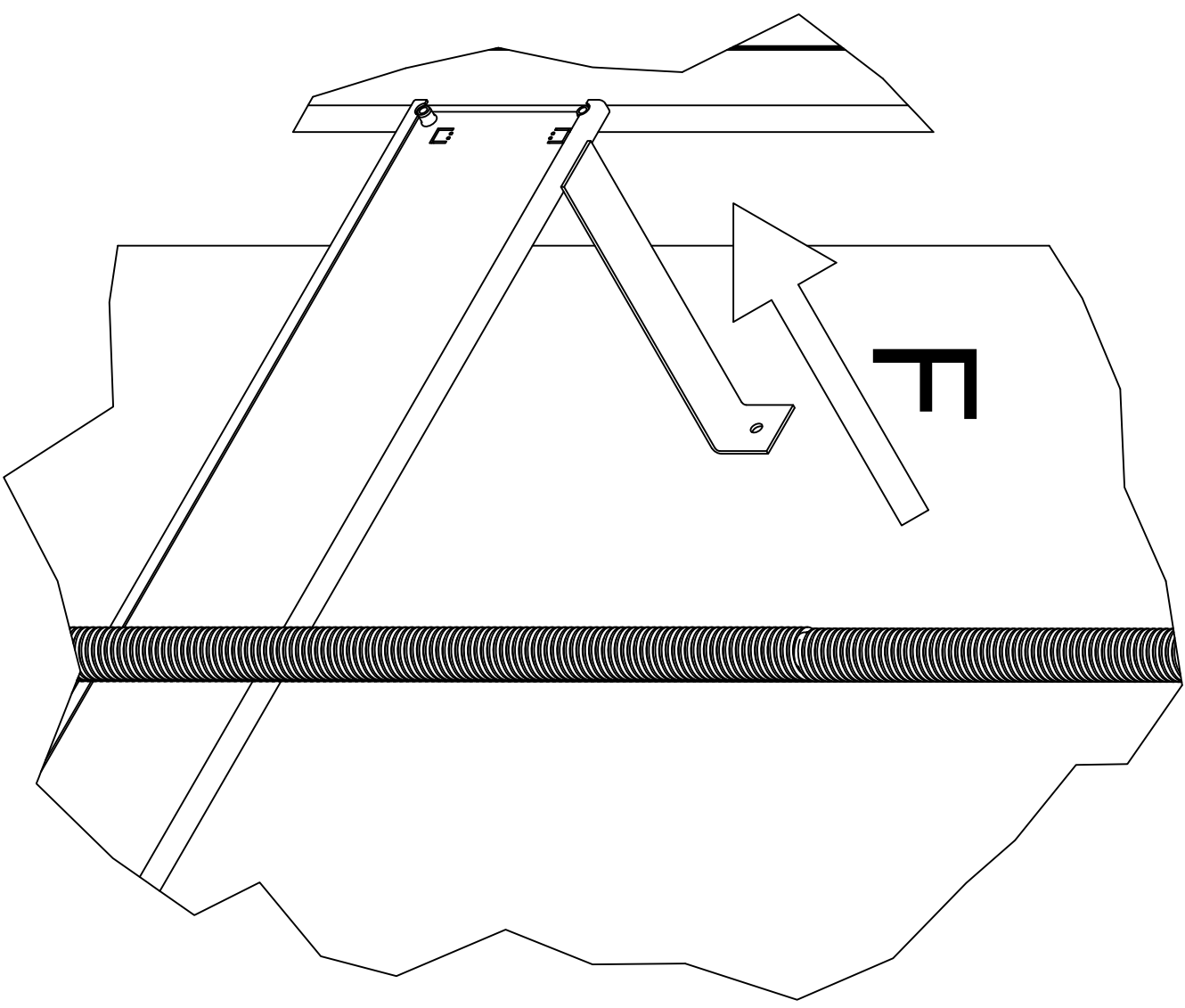
Mast force: 7,32 kN
Mast load: 59,03 kN/m²



Scale: 1:20



Fixing points, 250 N
See detail A



A

B

C

D

6 5 4 3 2 1

A

B

C

D

Approved by
builder:

European view placement:



Tender no
Principal drawing

Order no
A5000 - 1100*1367

Loads and forces

Gen. Tolerances

SS-ISO 2768-1-1 m

Date

2018-11-01

sheet

3 of 7

Scale:

A3, 1:60