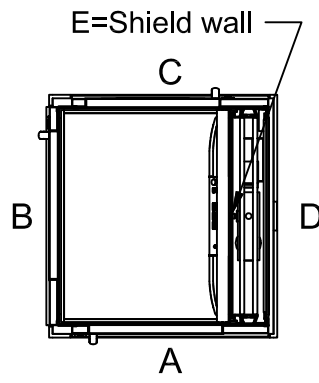


Positioning of machinery:



Options
 Frekv 1x230/240V 50-60Hz 16 A Soft
 Capacity: 400,00 kg

*To be adapted on site
 **Customized panel

Approved by
 builder:

European view placement:

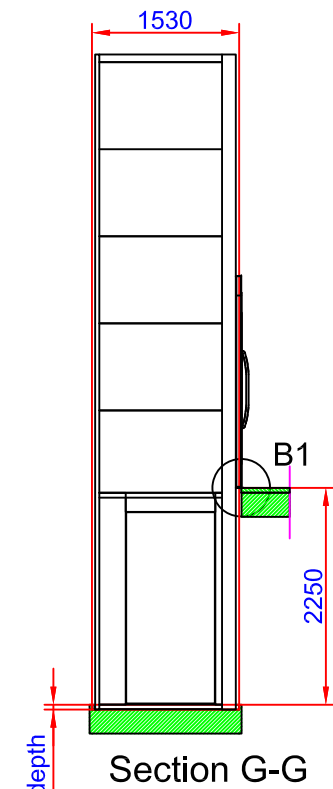
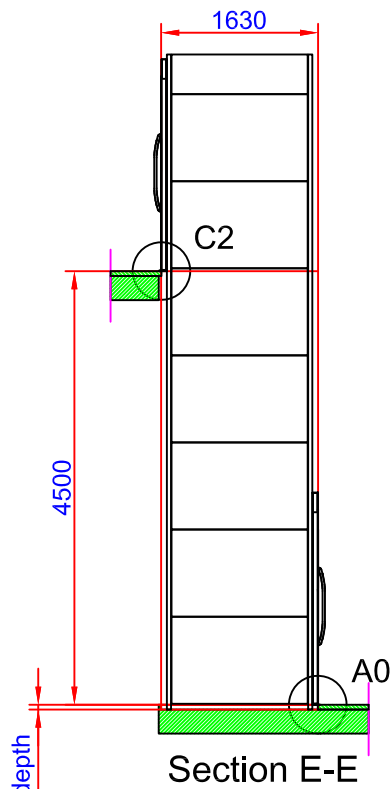
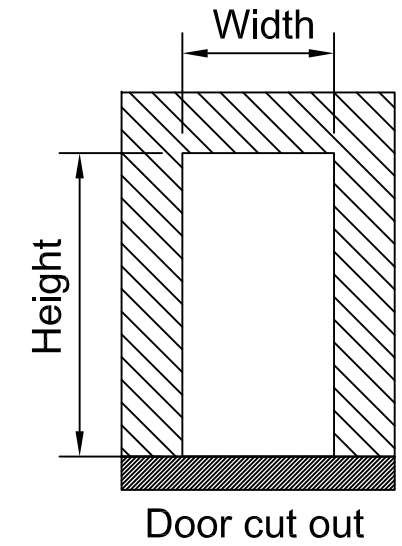


Tender no	Principal drawing		
Order no	A5000 - 1100*1467		
Gen. Tolerances	Date	sheet	Scale:
SS-ISO 27681-1 m	2018-10-31	1 of 7	A3, 1:60

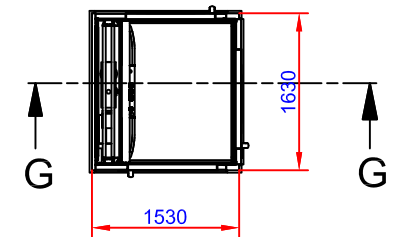
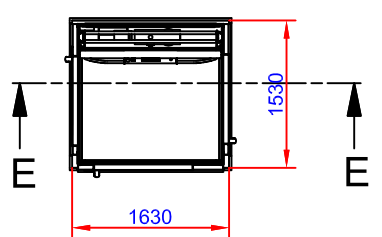
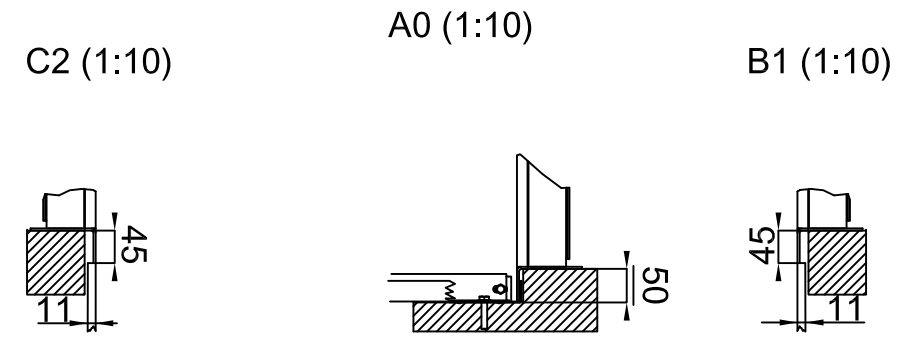
Shaft cutout sizes

Lift unit installed within a shaft by others

Door front cutout sizes		
Landing	Width	Height
A 0	1530	2250
B 1	1630	2250
C 2	1530	2250



50 mm pit depth + 10 mm, - 0 mm.
Bottom surface must be flat



Approved by builder: _____		Tender no	Principal drawing A5000 - 1100*1467 Cut out sizes		
		Order no			
European view placement:		Gen. Tolerances SS-ISO 27681-1 m	Date 2018-10-31	sheet 2 of 7	Scale: A3, 1:60

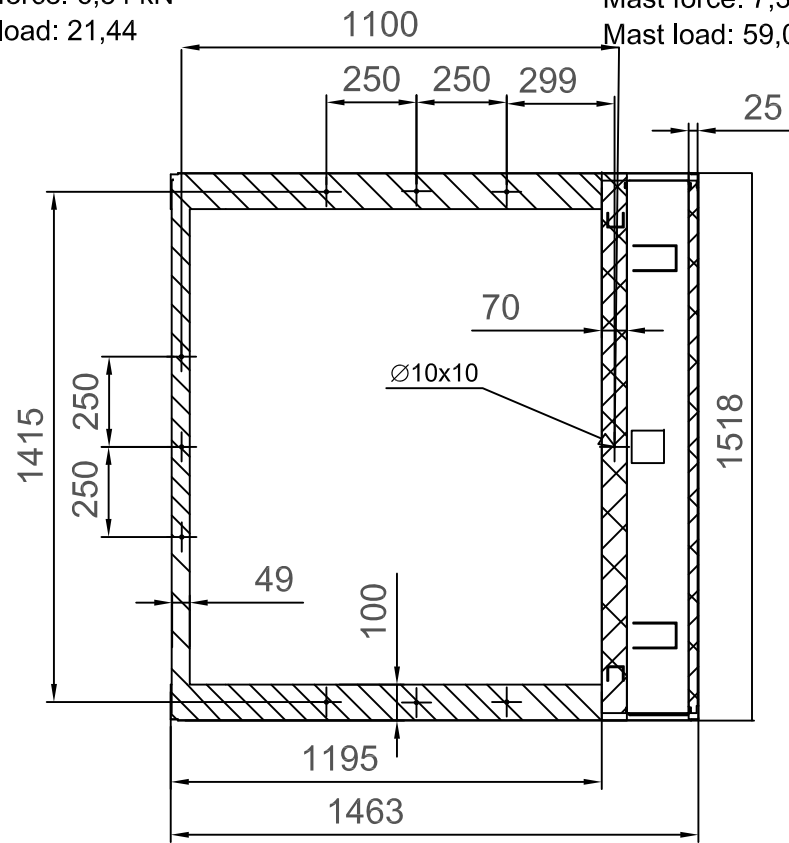
Loads sustained by shaft and platform
and fixing points bottom frame



L section force: 6,54 kN
L section load: 21,44
kN/m²

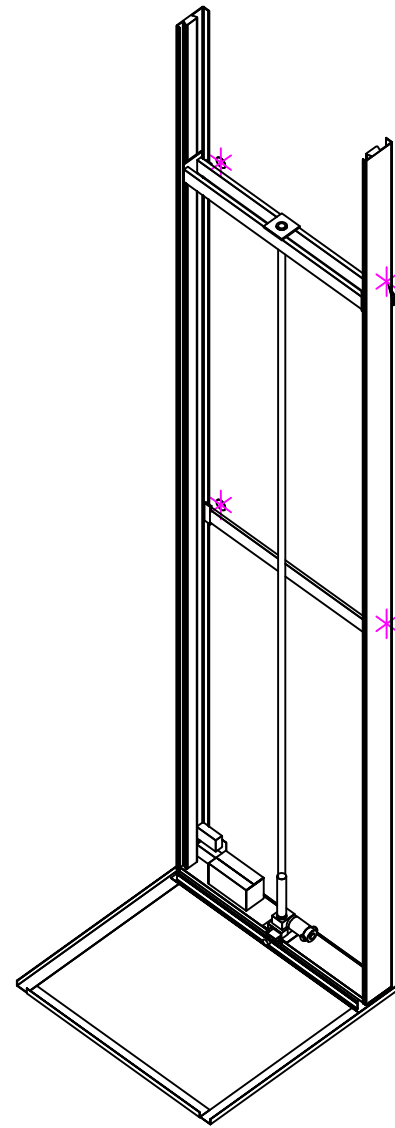


Mast force: 7,32 kN
Mast load: 59,03 kN/m²



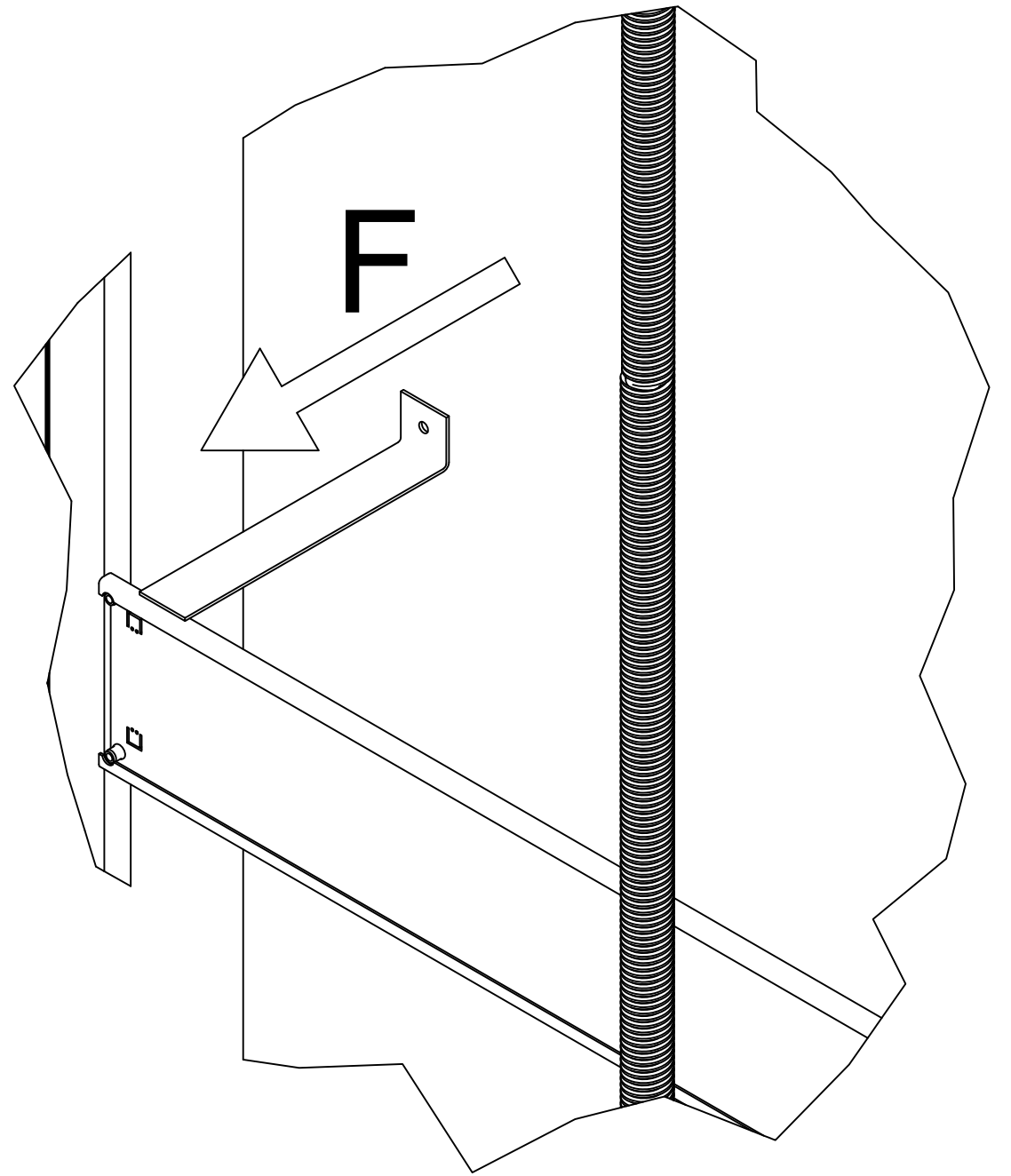
Scale: 1:20

Recommended positioning of fixing points.
Loads per fixing point, F=250 N

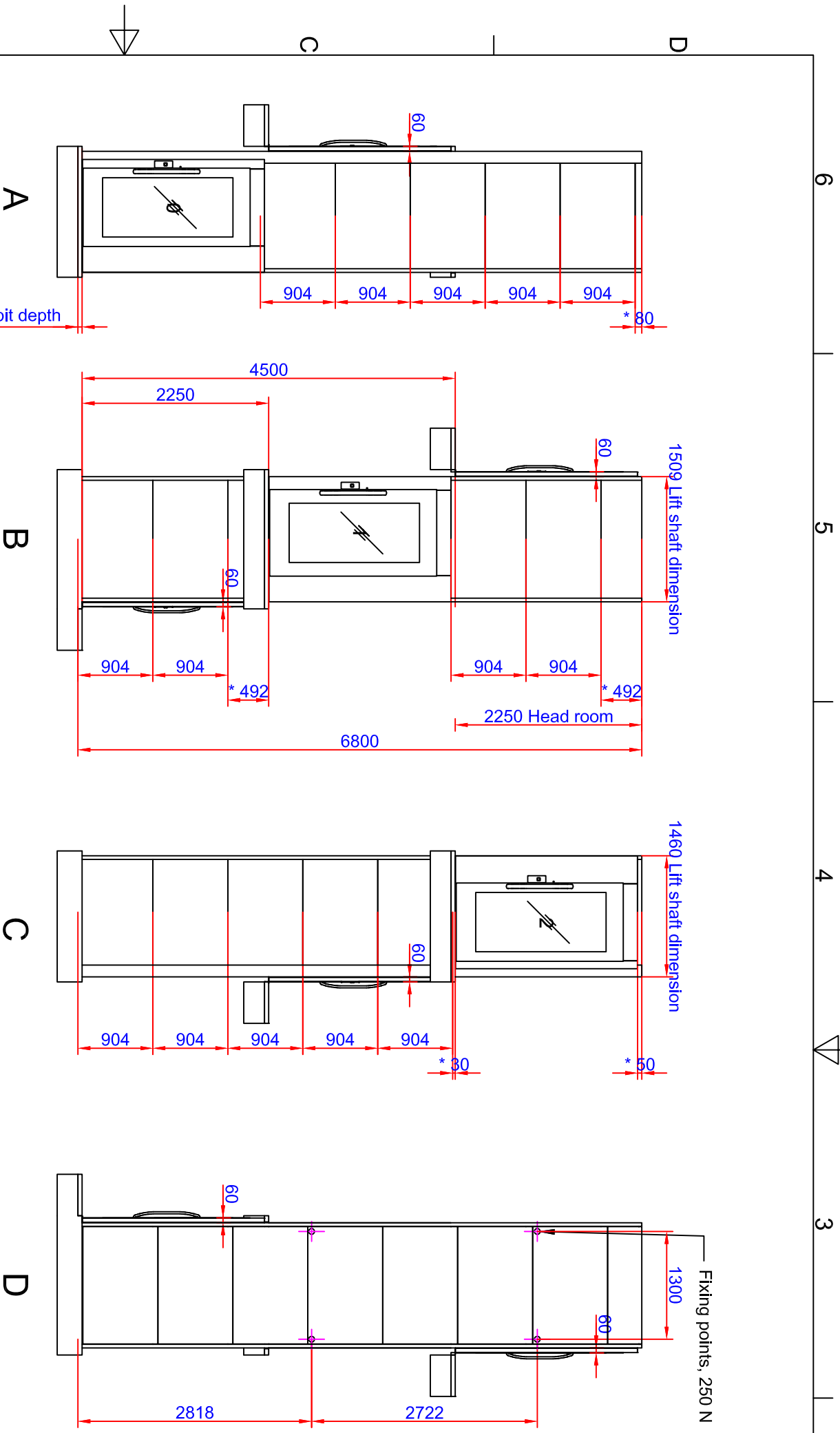


Fixing points, 250 N
See detail A

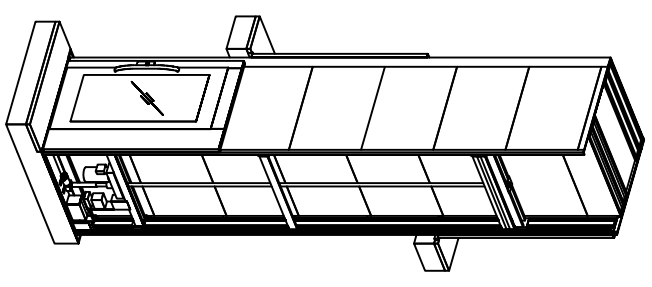
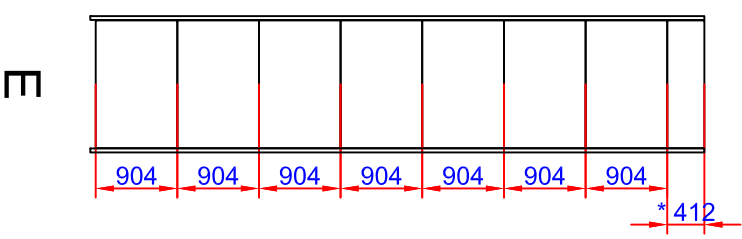
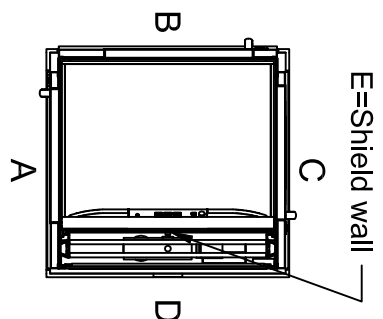
A (1:5)



Approved by builder: _____		Tender no	Principal drawing		
		Order no	A5000 - 1100*1467		
European view placement:		Gen. Tolerances	Date	sheet	Scale:
		SS-ISO 27681-1 m	2018-10-31	3 of 7	A3, 1:60



Positioning of machinery:



Options
 Frekv 1x230/240V 50-60Hz 16 A Soft
 Capacity: 400,00 kg

*To be adapted on site
 **Customized panel

Approved by
 builder:

European view placement:



Principal drawing
 A5000 - 1100*1467
 Shaft drawing

Tender no

Order no

Gen. Tolerances

Date

sheet

Scale:

SS-ISO 27681-1 m

2018-10-31

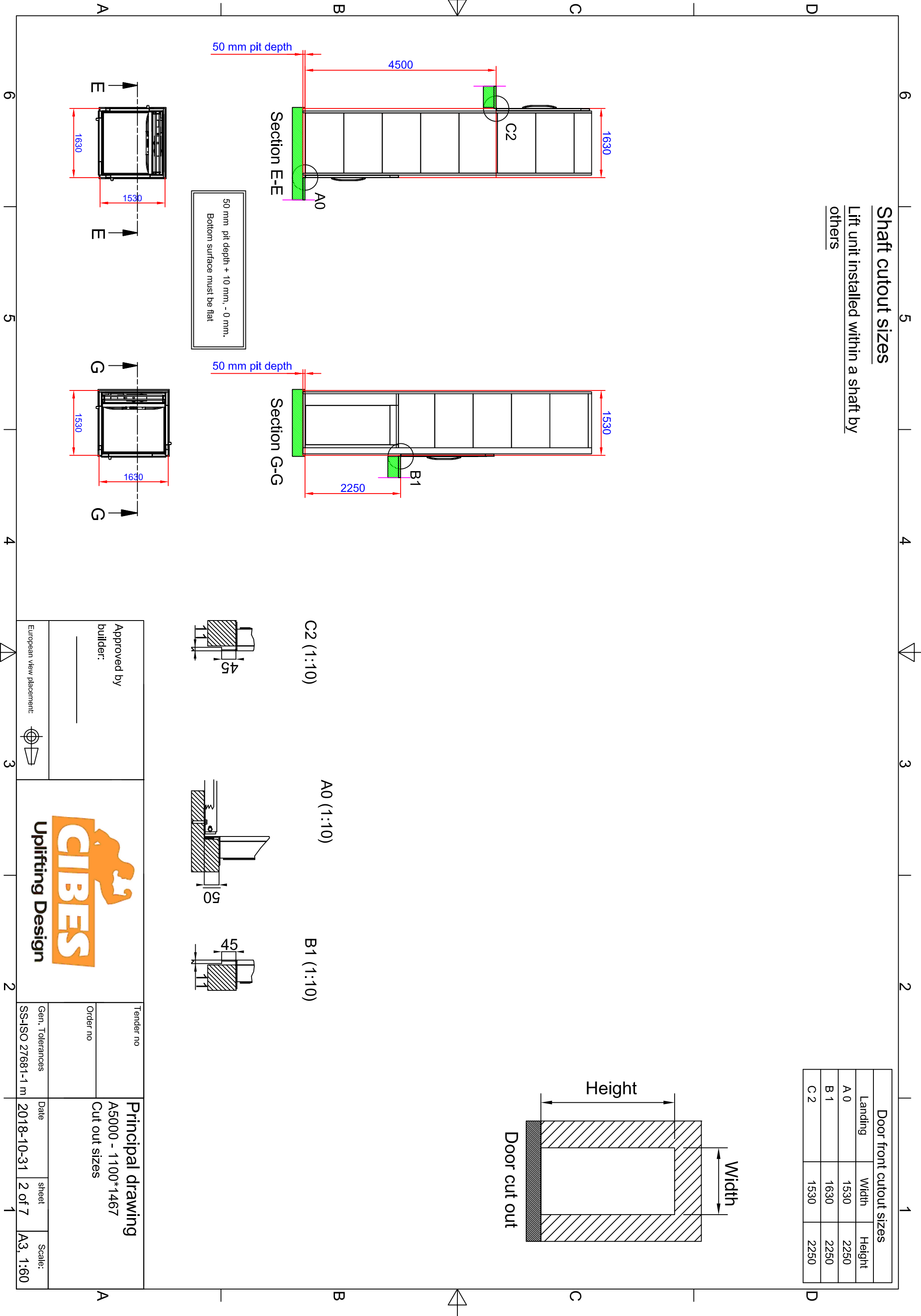
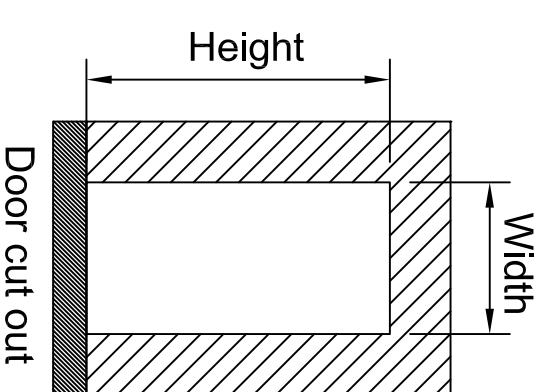
1 of 7

A3, 1:60

Shaft cutout sizes

Lift unit installed within a shaft by others

Door front cutout sizes			
Landing	Width	Height	
A 0	1530	2250	
B 1	1630	2250	
C 2	1530	2250	



Approved by
builder:

Tender no
Order no

Principal drawing
A5000 - 1100*1467
Cut out sizes



Gen. Tolerances
SS-ISO 27681-1 m

Date
2018-10-31

sheet
2 of 7

Scale:
A3, 1:60

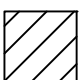
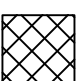
European view placement:

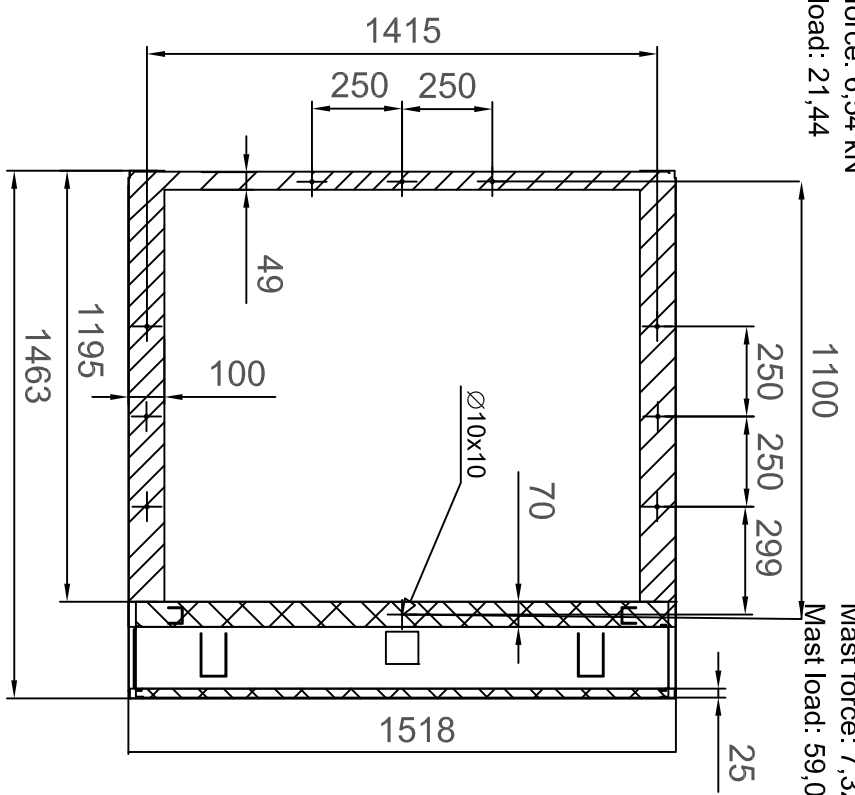


Loads sustained by shaft and platform
and fixing points bottom frame

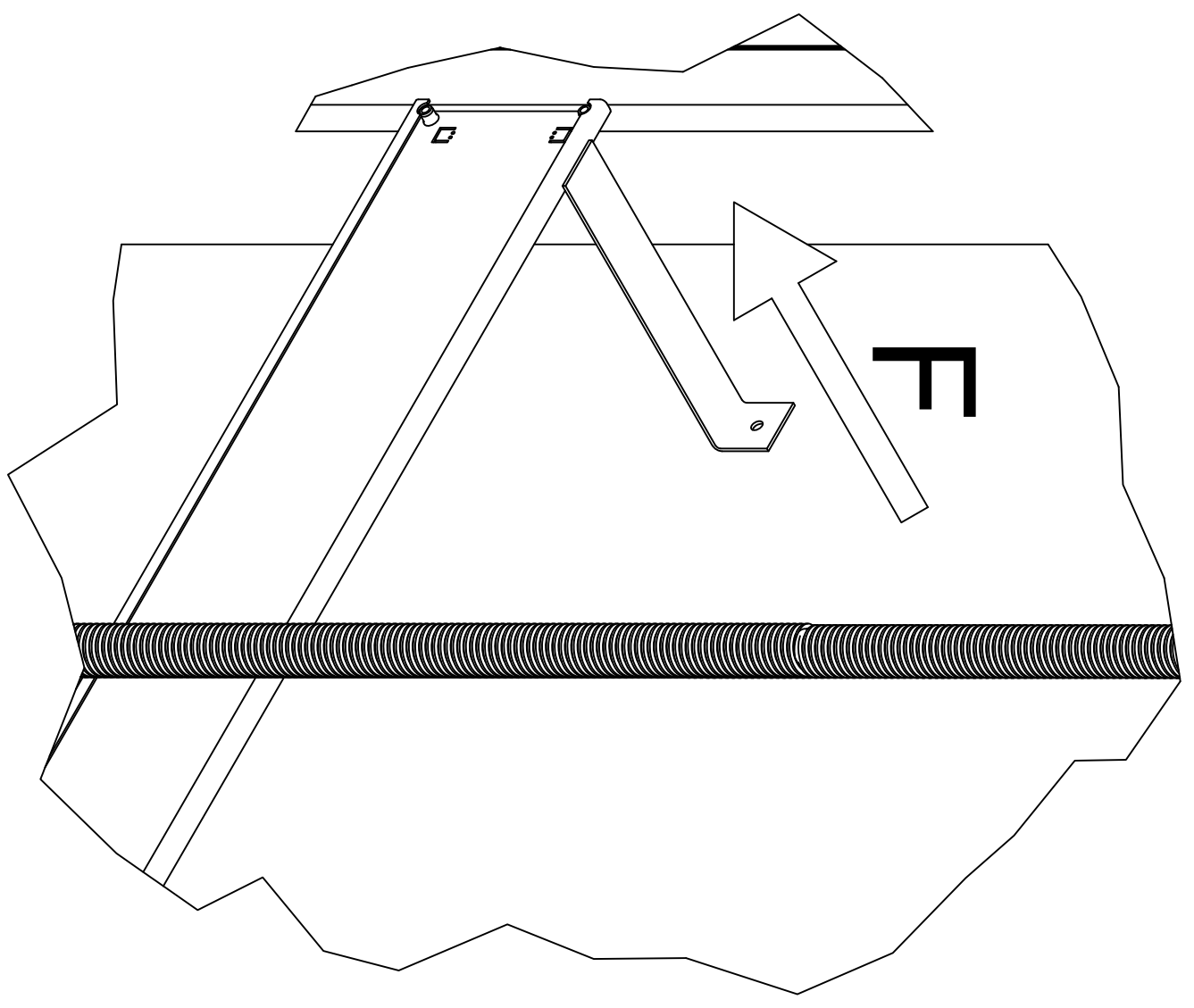
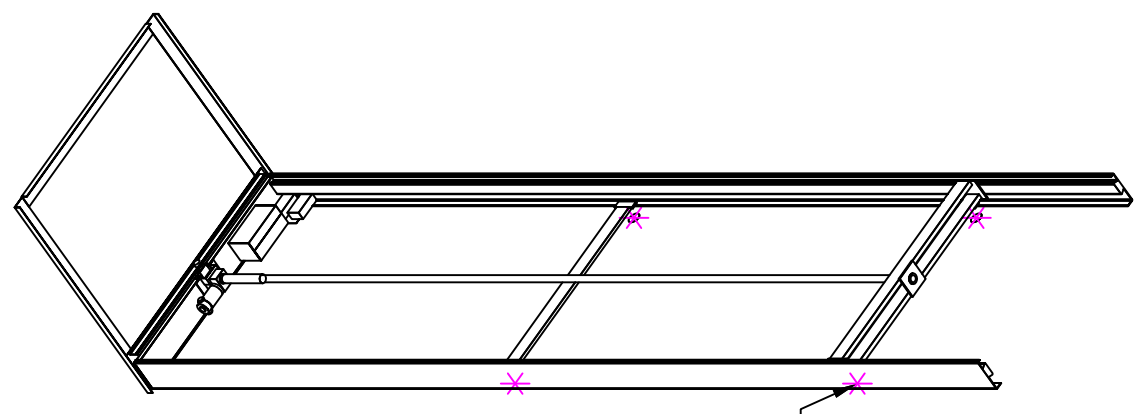
Recommended positioning of fixing points.
Loads per fixing point, $F=250\text{ N}$


A (1 : 5)

 L section force: 6,54 kN
 L section load: 21,44 kN/m²
 Mast force: 7,32 kN
 Mast load: 59,03 kN/m²



Scale: 1:20



Approved by builder:		European view placement:	
		Tender no	Principal drawing A5000 - 1100*1467 Loads and forces
		Order no	
Gen. Tolerances	SS-ISO 27681-1 m	Date	2018-10-31
sheet	3 of 7	Scale:	A3, 1:60