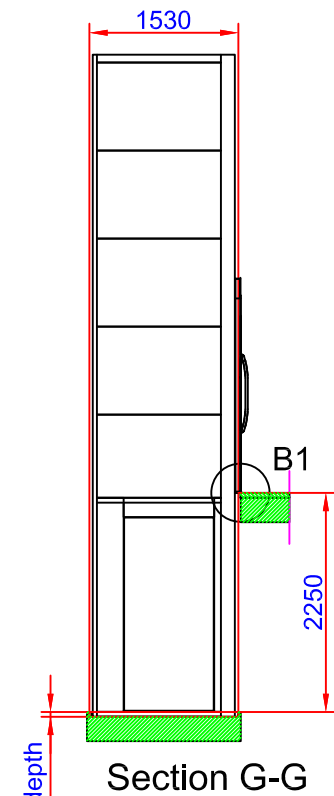
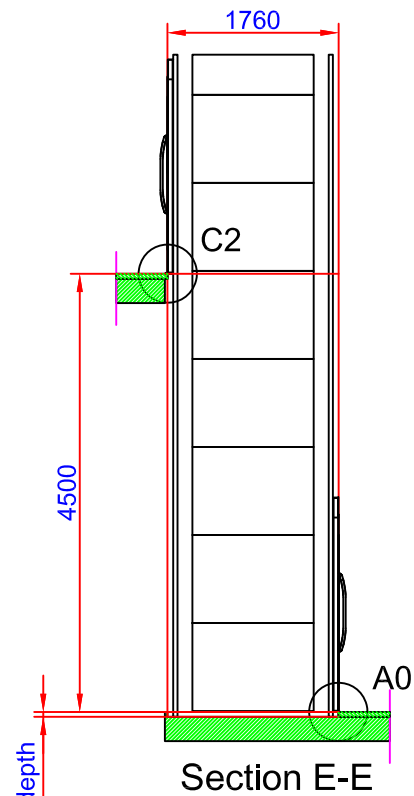
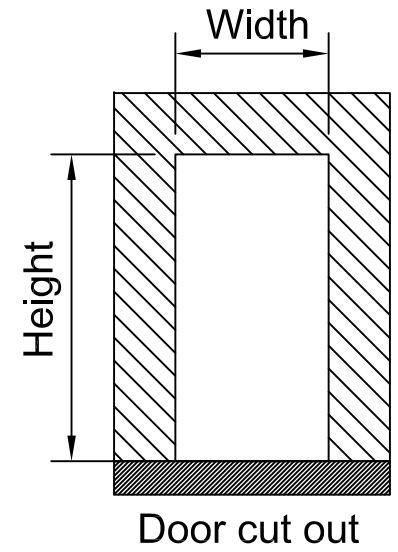


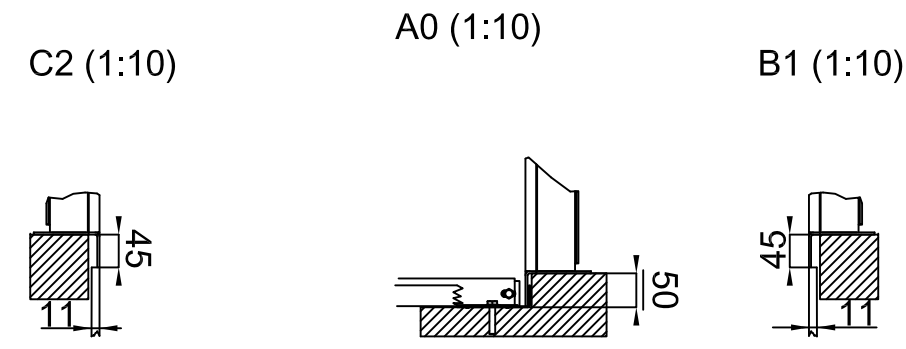
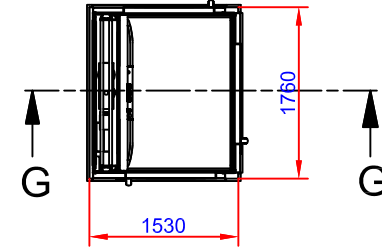
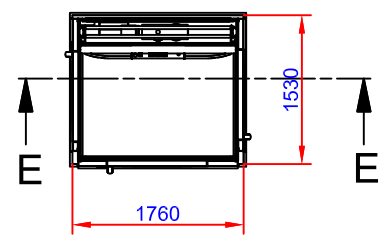
Shaft cutout sizes

Lift unit installed within a shaft by others

Door front cutout sizes		
Landing	Width	Height
A 0	1530	2250
B 1	1760	2250
C 2	1530	2250



50 mm pit depth + 10 mm, - 0 mm.
Bottom surface must be flat




Approved by builder:

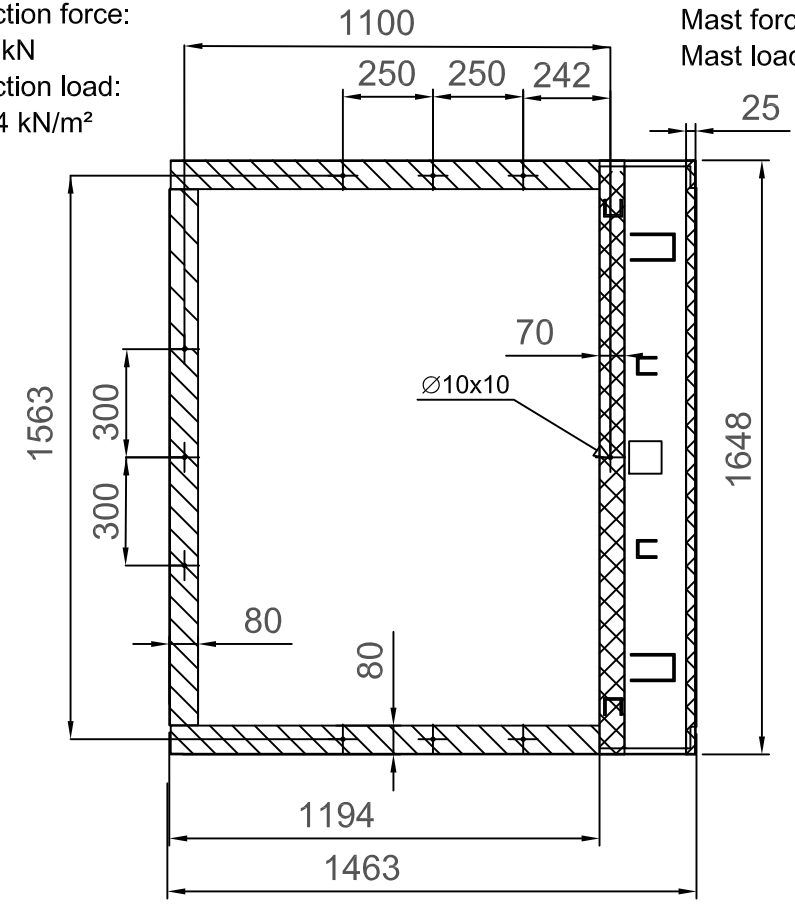
European view placement:



Tender no	Principal drawing A5000 - 1100*1597 Cut out sizes		
Order no			
Gen. Tolerances SS-ISO 27681-1 m	Date 2018-10-31	sheet 2 of 7	Scale: A3, 1:60

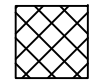
Loads sustained by shaft and platform
and fixing points bottom frame

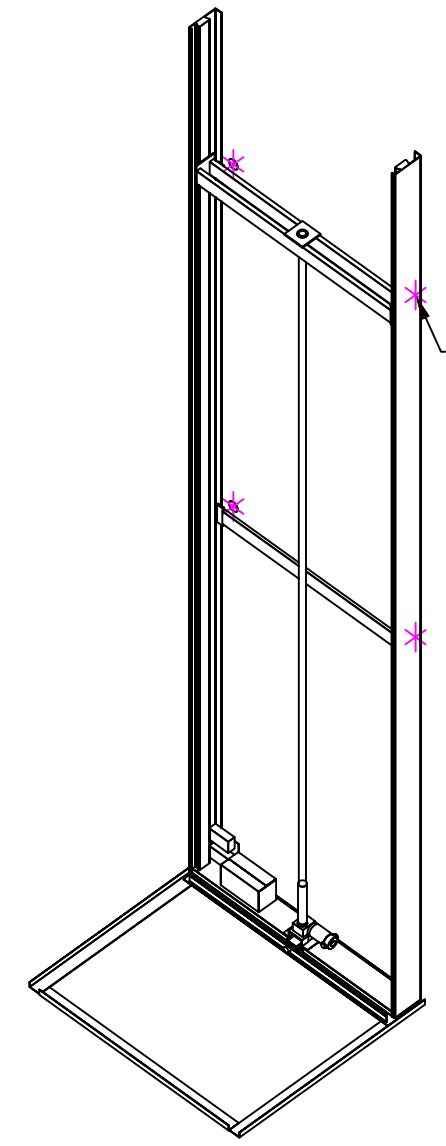
 L section force:
6,54 kN
L section load:
21,44 kN/m²



Scale: 1:20

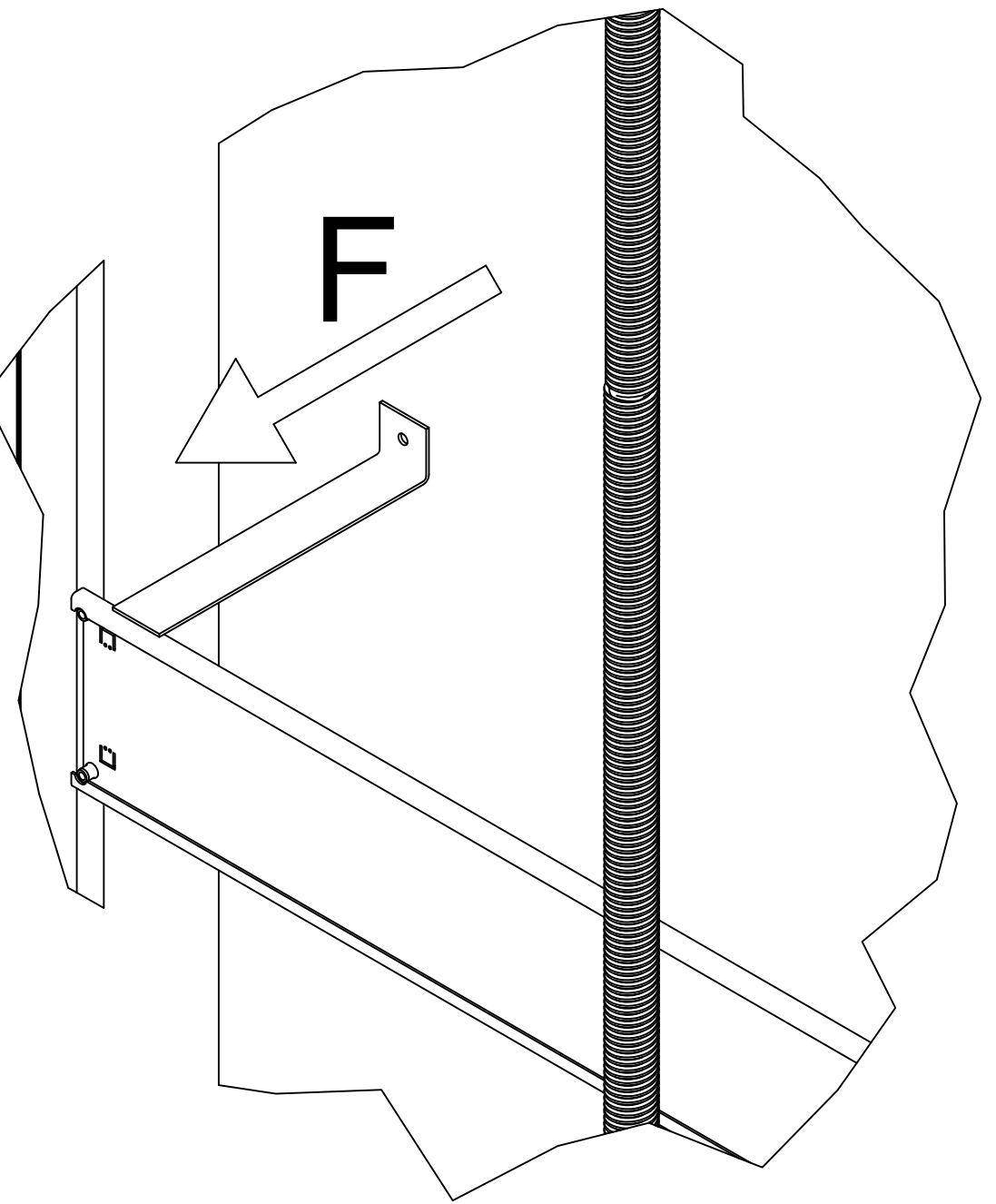
Recommended positioning of fixing points.
Loads per fixing point, F=250 N


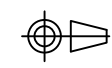
 Mast force: 8,32 kN
Mast load: 67,1 kN/m²

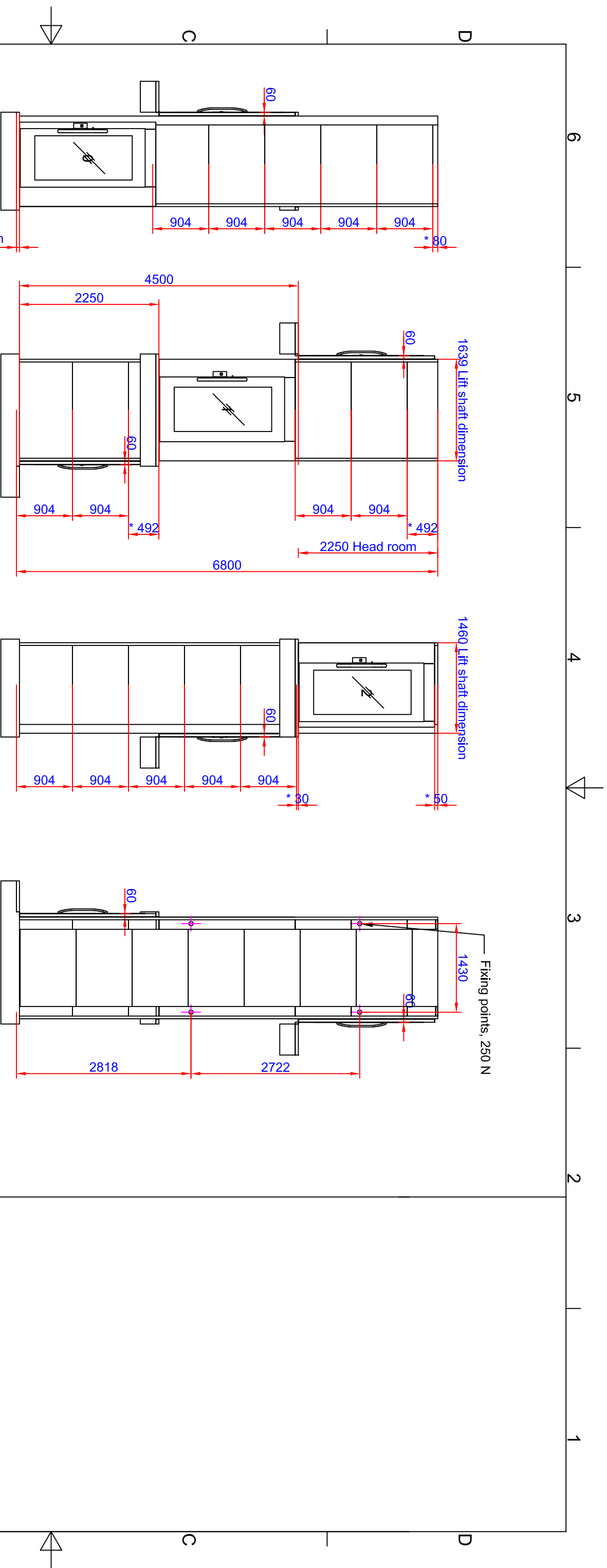


Fixing points, 250 N
See detail A

A (1:5)



Approved by builder: _____			Tender no		Principal drawing A5000 - 1100*1597 Loads and forces	
			Order no			
European view placement: 	Gen. Tolerances SS-ISO 27681-1 m	Date 2018-10-31	sheet 3 of 7	Scale: A3, 1:60		



50 mm pit depth

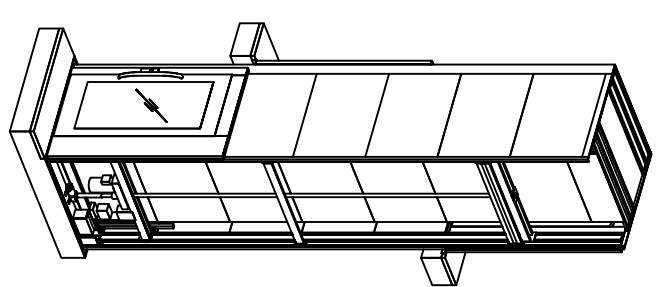
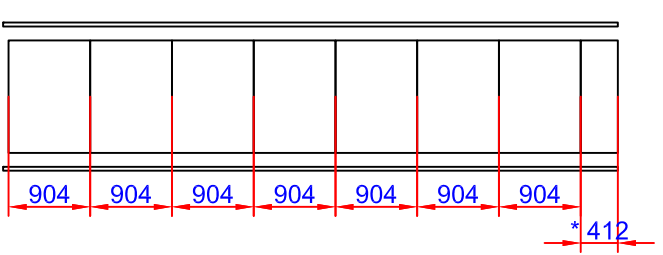
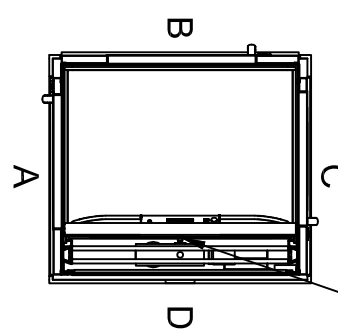
1639 Lift shaft dimension

1460 Lift shaft dimension

Fixing points, 250 N

Positioning of machinery:

E=Shield wall



*To be adapted on site
**Customized panel

Options

Frekv 3x400V 50-60Hz 16 A Soft
Capacity: 500,00 kg

Approved by
builder:

European view placement:



Tender no
Principal drawing
A5000 - 1100*1597
Shaft drawing

Order no

Gen. Tolerances

SS-ISO 27681-1 m

Date

2018-10-31

sheet

1 of 7

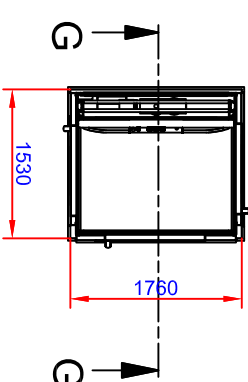
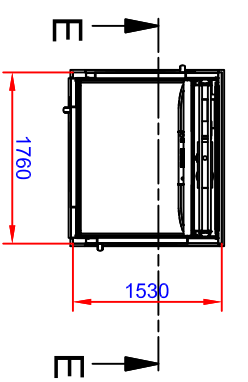
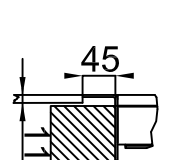
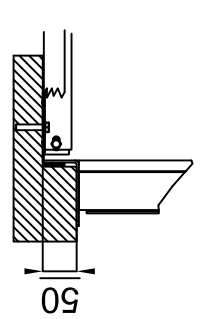
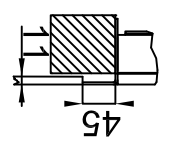
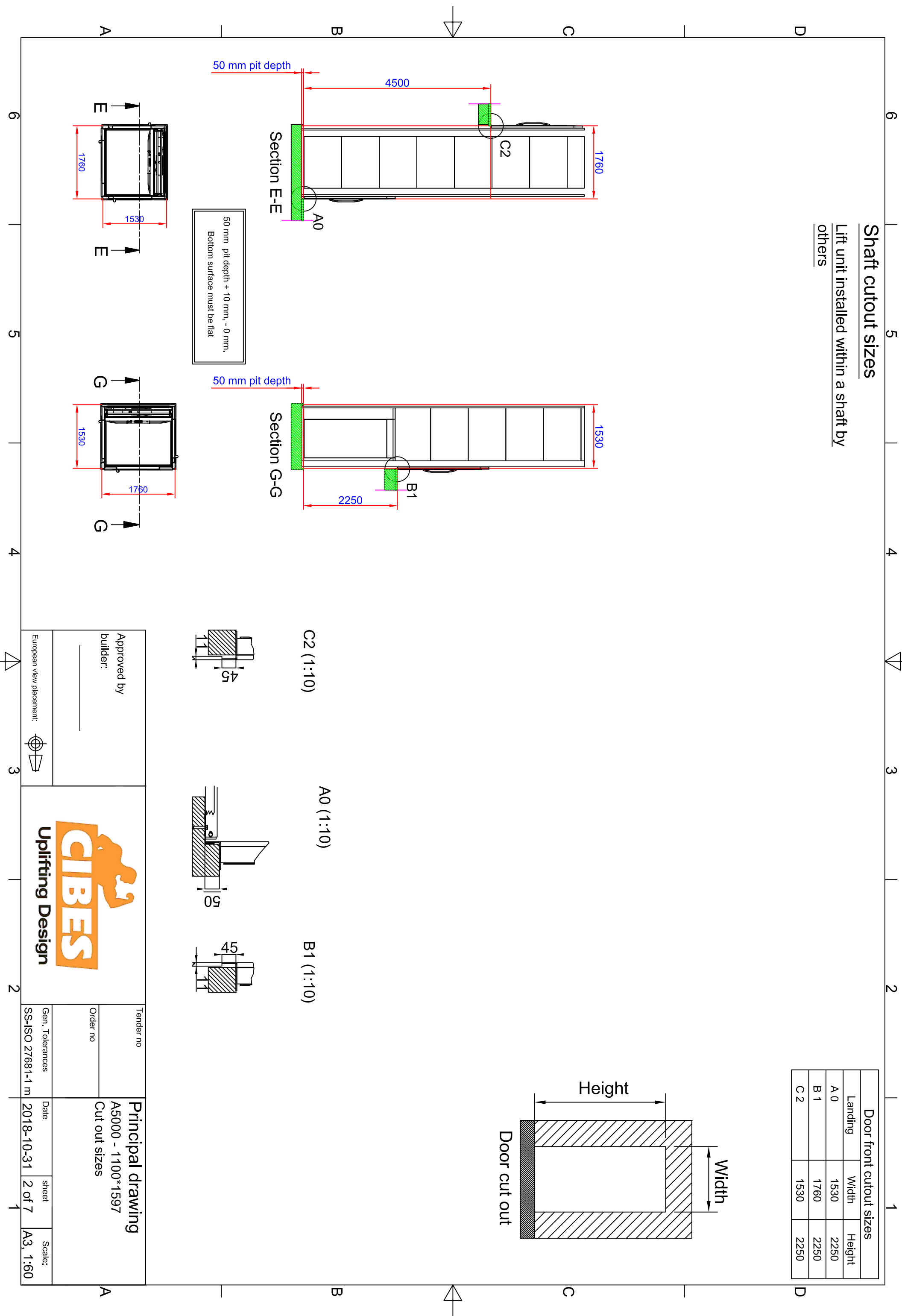
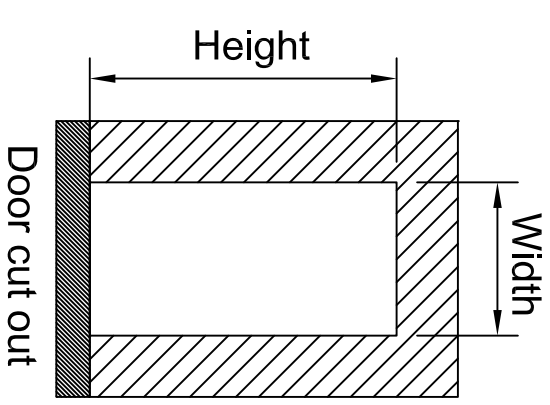
Scale:

A3, 1:60

Shaft cutout sizes

Lift unit installed within a shaft by others

Door front cutout sizes		
Landing	Width	Height
A 0	1530	2250
B 1	1760	2250
C 2	1530	2250



Approved by
builder:



Tender no
Order no

Principal drawing
A5000 - 1100*1597
Cut out sizes

European view placement:

Gen. Tolerances
SS-ISO 27681-1 m

Date
2018-10-31

sheet 2 of 7
Scale: A3, 1:60

Loads sustained by shaft and platform
and fixing points bottom frame



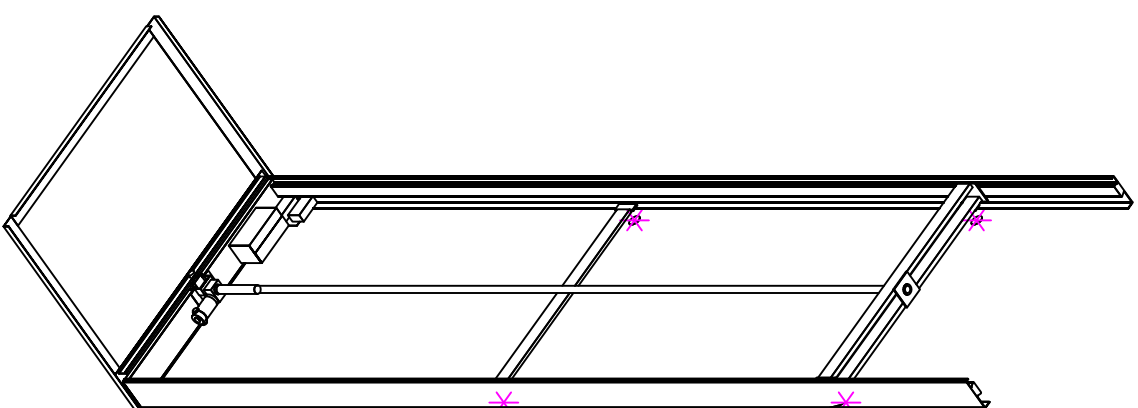
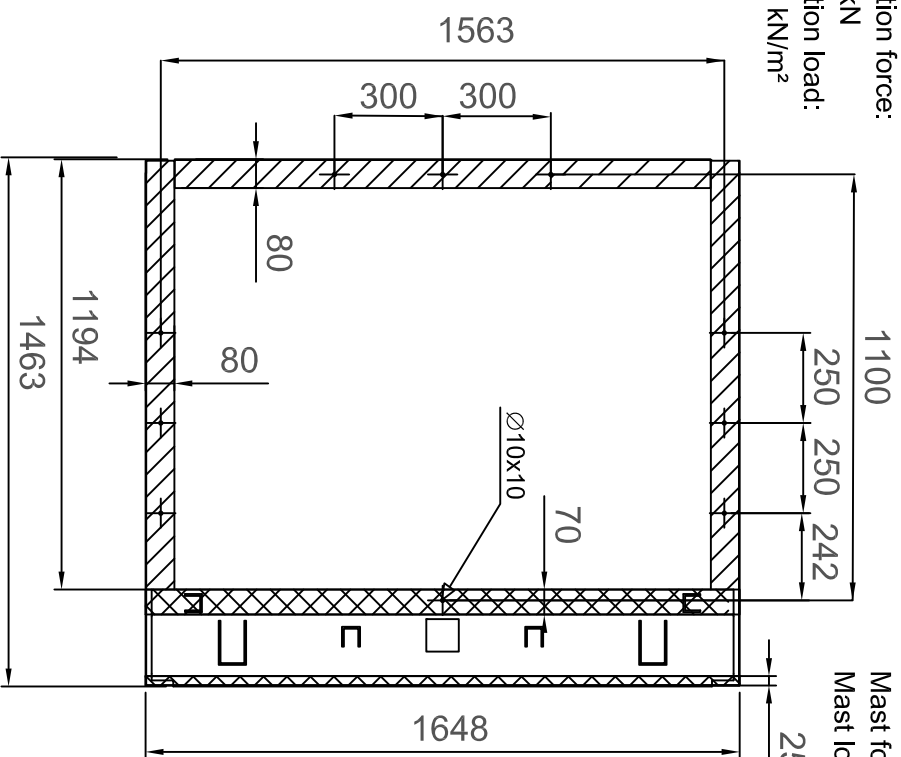
L section force:
6,54 kN
L section load:
21,44 kN/m²



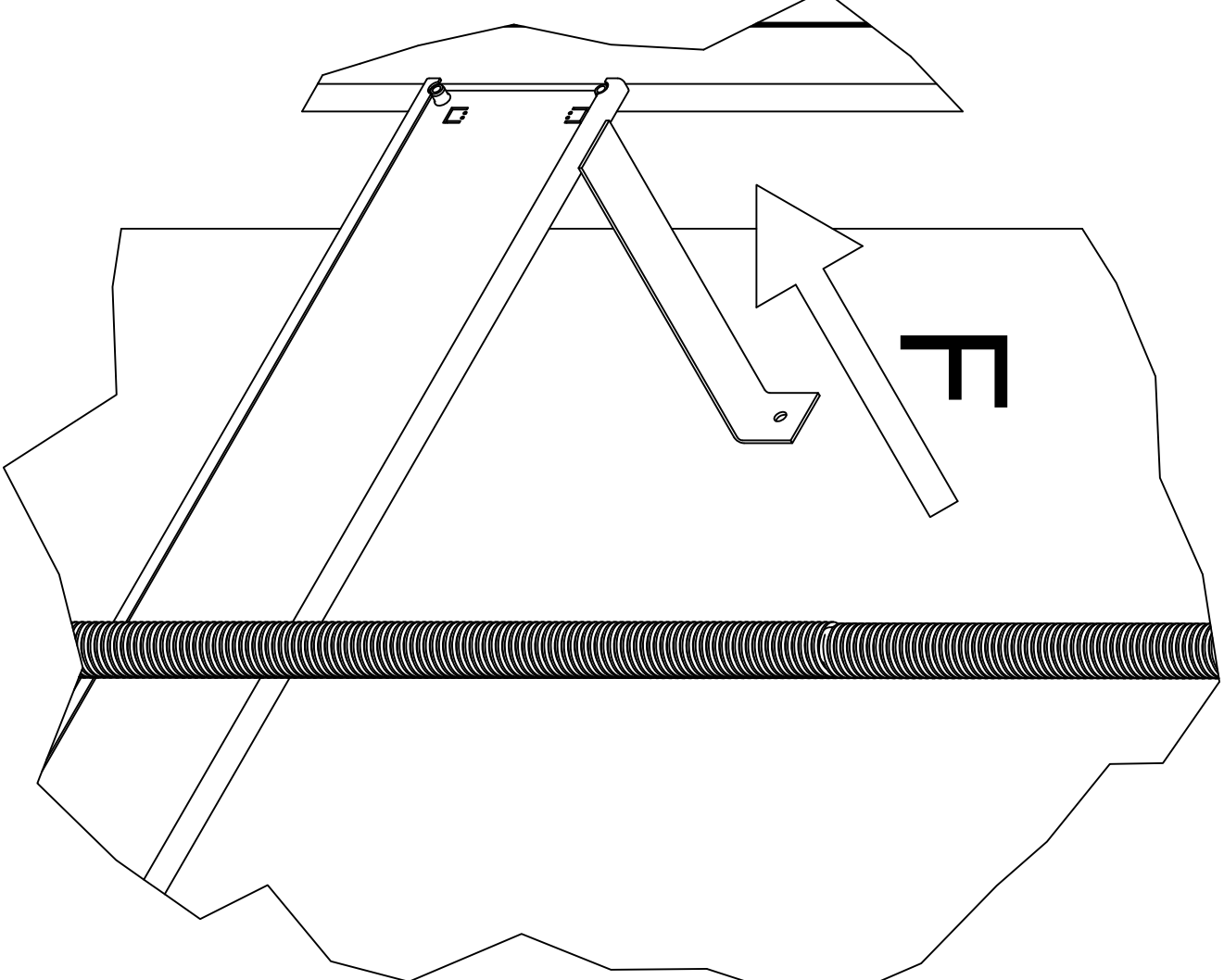
Mast force: 8,32 kN
Mast load: 67,1 kN/m²

Recommended positioning of fixing points.
Loads per fixing point, F=250 N

Scale: 1:20



A (1:5)



Fixing points, 250 N
See detail A

A

B

C

D

6

5

4

3

2

1

A

B

C

D

6

5

4

3

2

1

Approved by
builder:

European view placement:



Tender no

Principal drawing
A5000 - 1100*1597
Loads and forces

Order no

Gen. Tolerances
SS-ISO 27681-1 m

Date

2018-10-31

sheet

3 of 7

Scale:

A3, 1:60