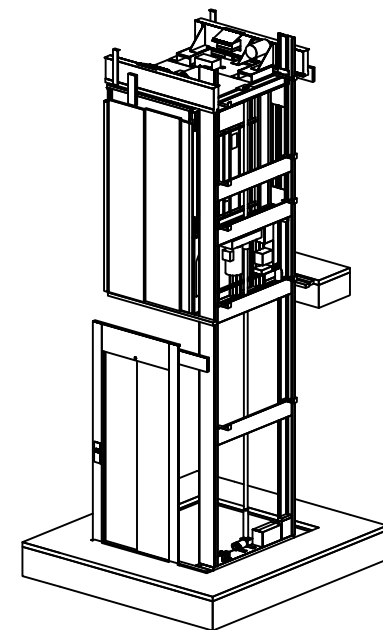
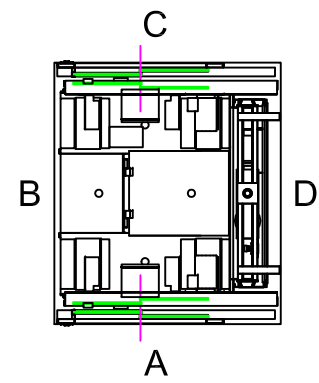


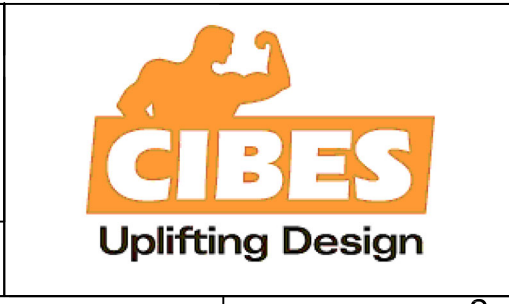
Positioning of machinery:



Options
 4 kW Frekv 3x400V 50-60 Hz Soft
 Capacity: 400,00 kg

Approved by
 builder:

European view placement:

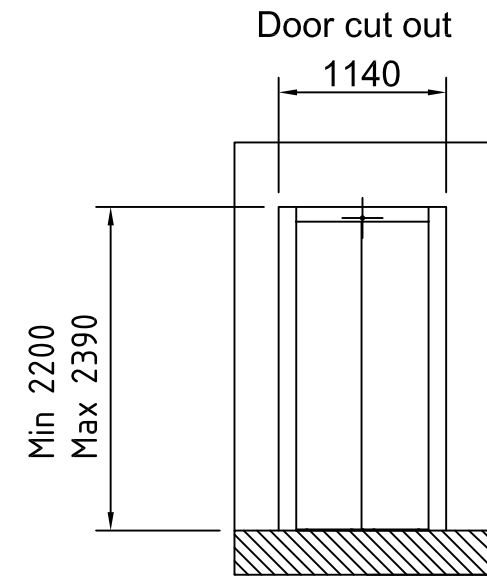
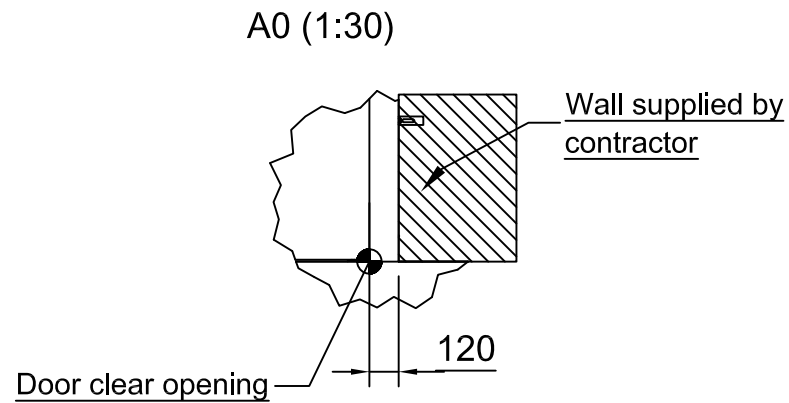
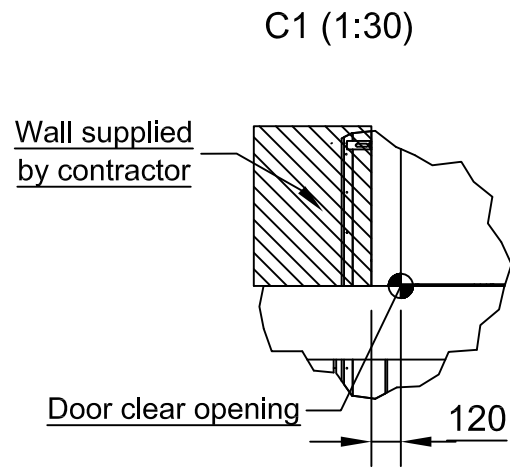
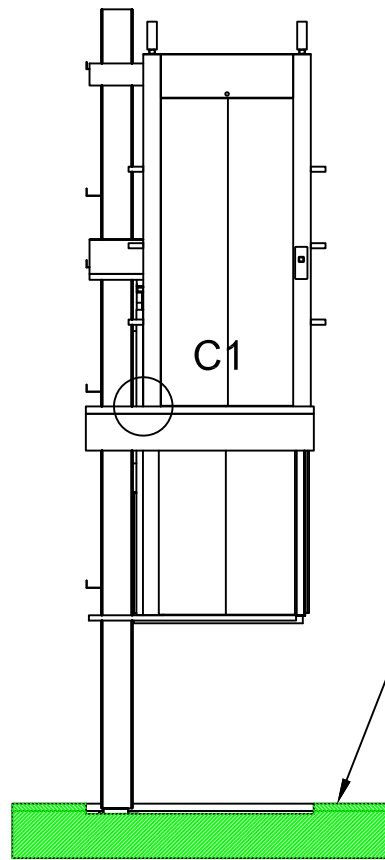
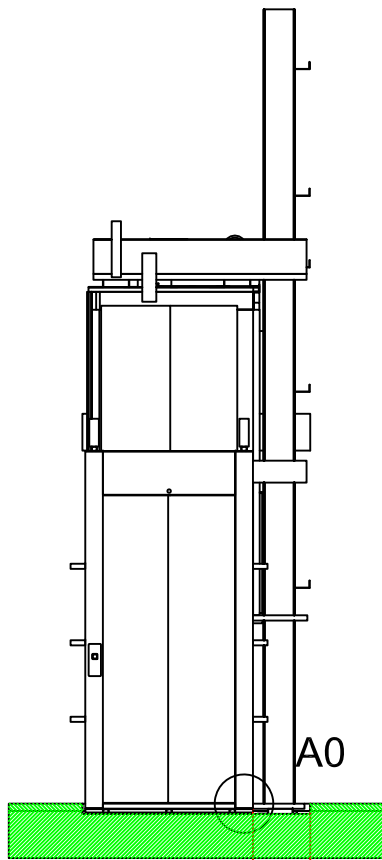


Tender no	Principal drawing		
Order no	A6000 - 1100*1400		
Gen. Tolerances	Date	1 of 6	Scale:
SS-ISO 27681-1 m	2018-11-01		A3, 1:1

Shaft cutout sizes

Scale: 1:50

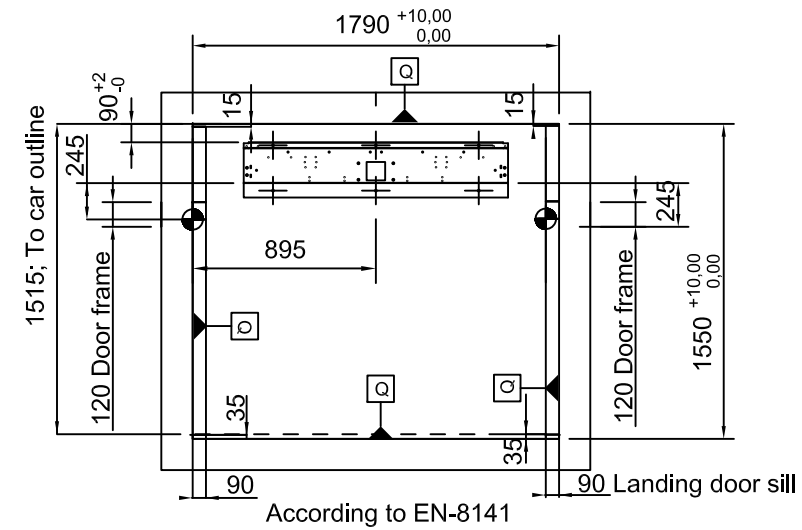
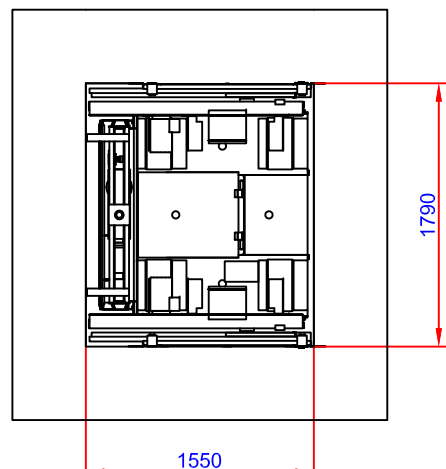
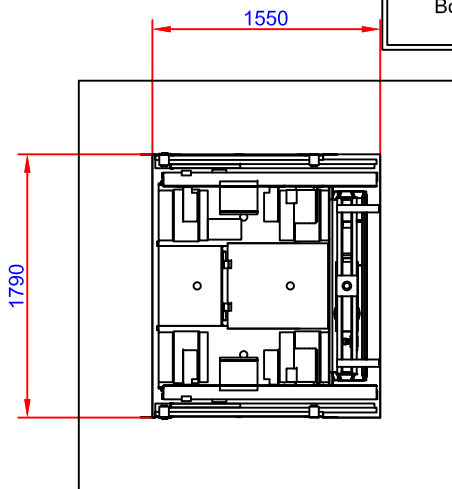
Scale: 1:50



⊥|m|Q

390 inside shaft, mast side to door cut out

70 mm pit depth + 10 mm, - 0 mm.
Bottom surface must be flat



According to EN-8141

Approved by builder:

European view placement:



Tender no

Order no

Gen. Tolerances
SS-ISO 27681-1 m

Principal drawing
A6000 - 1100*1400
Cut out sizes

Date
2018-11-01

2 of 6

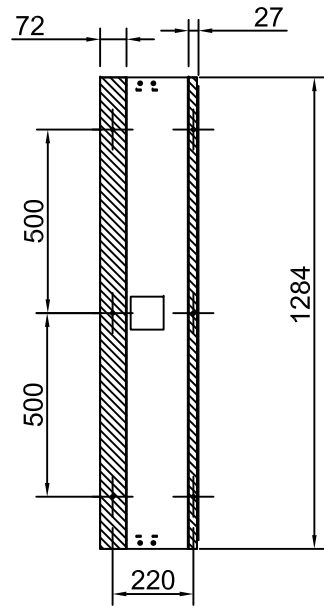
Scale:
A3, 1:1

Loads sustained by shaft and platform
and fixing points bottom frame

Recommended positioning of fixing points. Note: general view

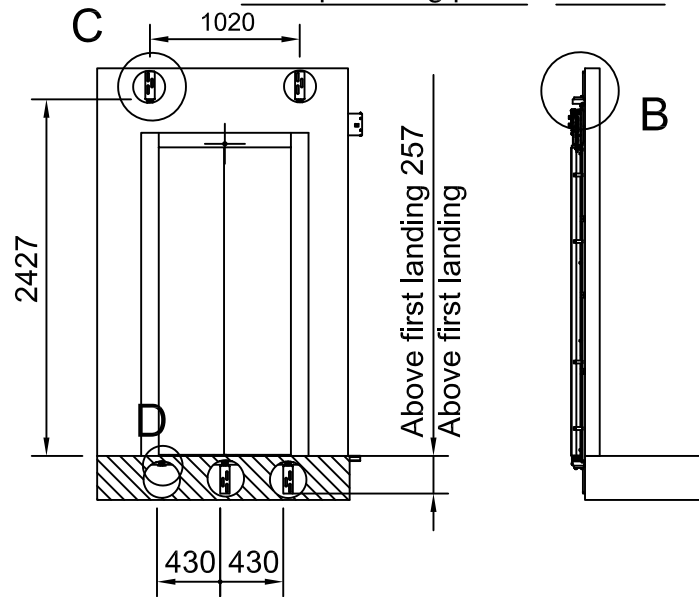
Loads per fixing point, $F=1250\text{ N}$

▨ Pit Load: 110kN/m^2

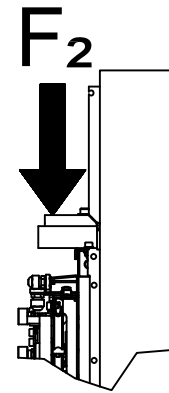


Scale: 1:20

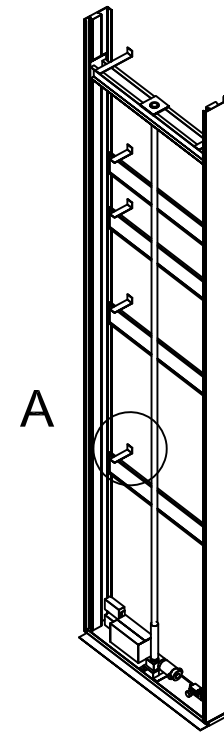
Landing door fixing points.
Number of fixing points: 5
Load per fixing point: $F_2=150\text{ N}$



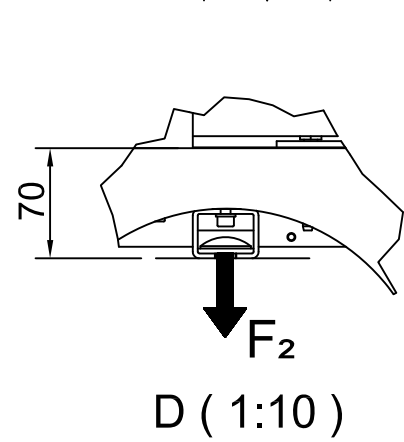
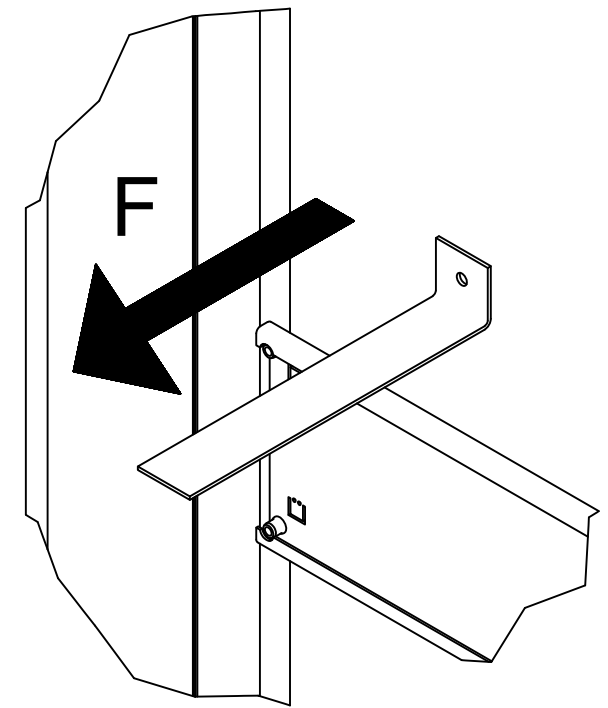
B (1:10)



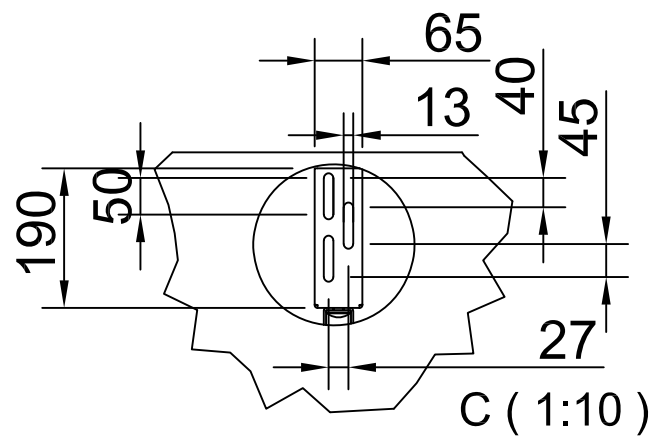
Scale: 1:50





A (1:5)

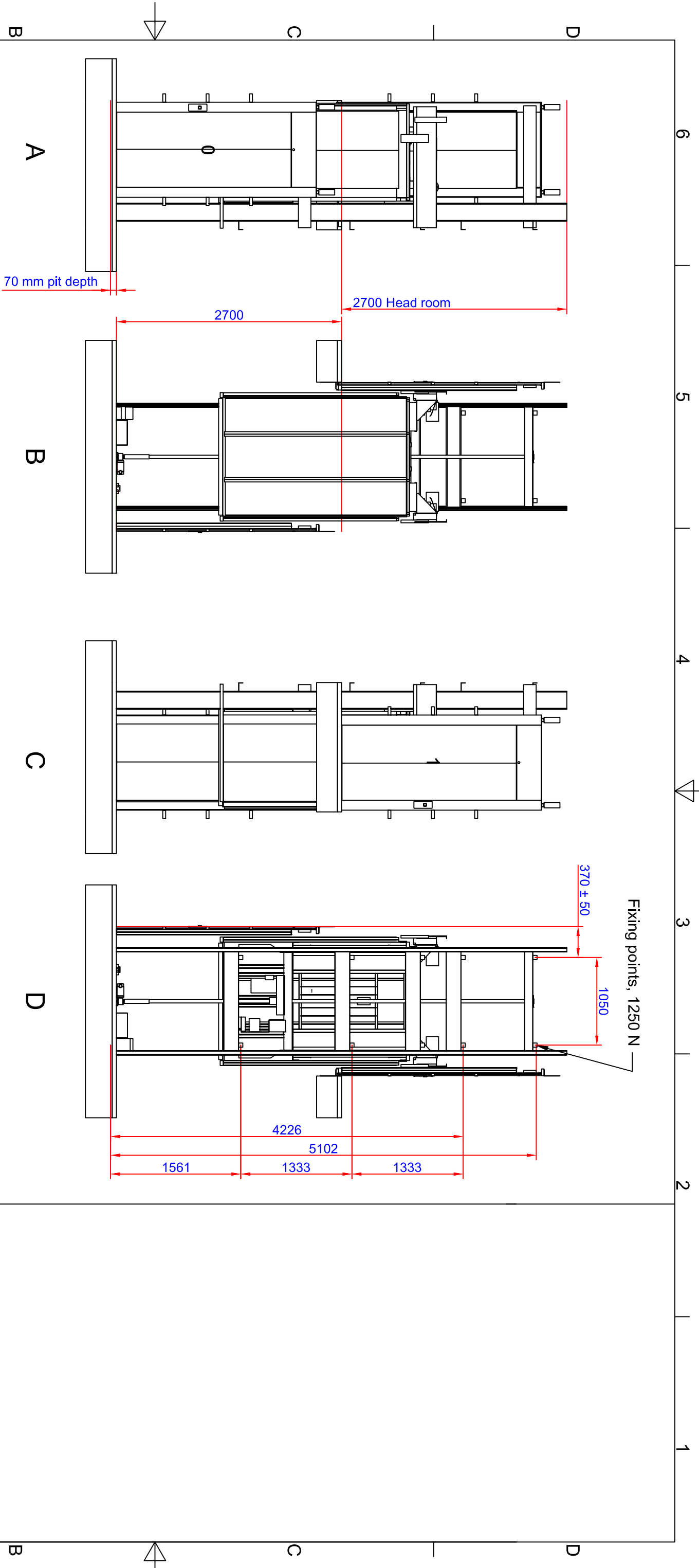


D (1:10)



C (1:10)

Approved by builder: _____		Tender no	Principal drawing A6000 - 1100*1400 Loads and forces		
		Order no			
European view placement: 		Gen. Tolerances SS-ISO 27681-1 m	Date 2018-11-01	3 of 6	Scale: A3, 1:1



Positioning of machinery:



Options
 4 kW Frekv 3x400V 50-60 Hz Soft
 Capacity: 400,00 kg

Approved by
 builder:

European view placement:



Tender no
 Order no
Principal drawing
 A6000 - 1100*1400
 Shaft drawing

Gen. Tolerances
 SS-ISO 27681-1 m

Date
 2018-11-01

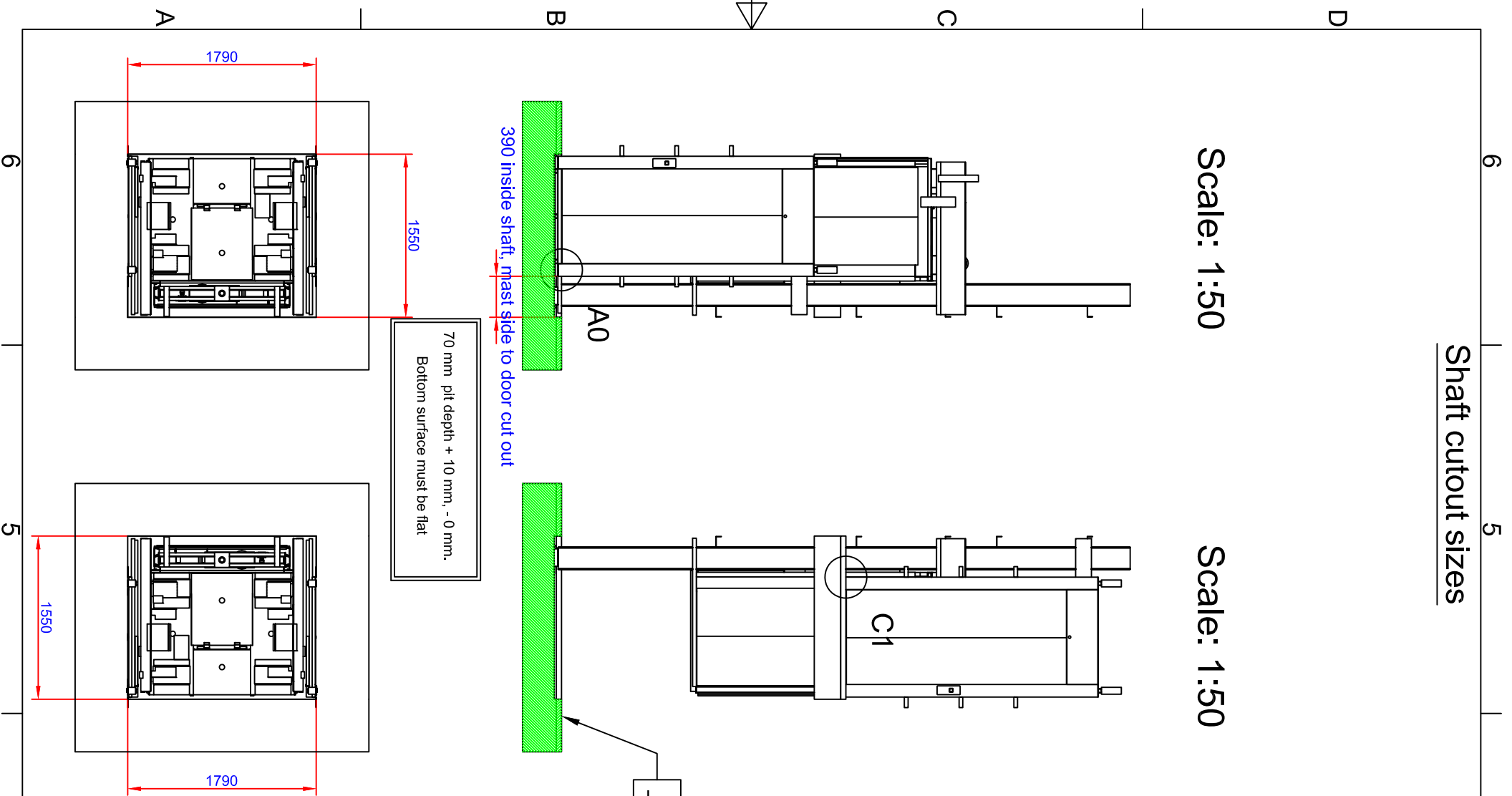
1 of 6

Scale:
 A3, 1:1

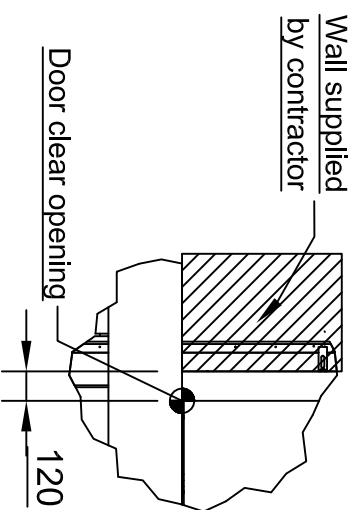
Shaft cutout sizes

Scale: 1:50

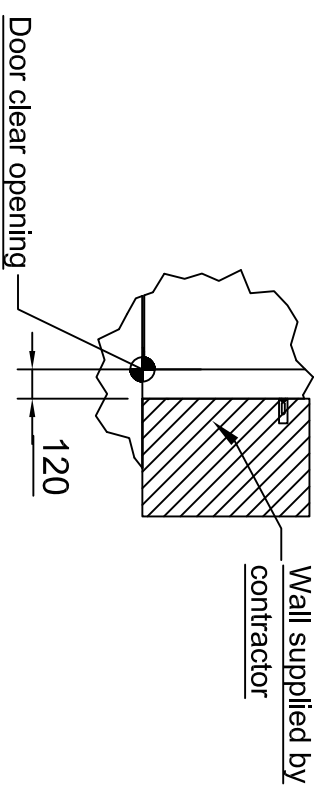
Scale: 1:50



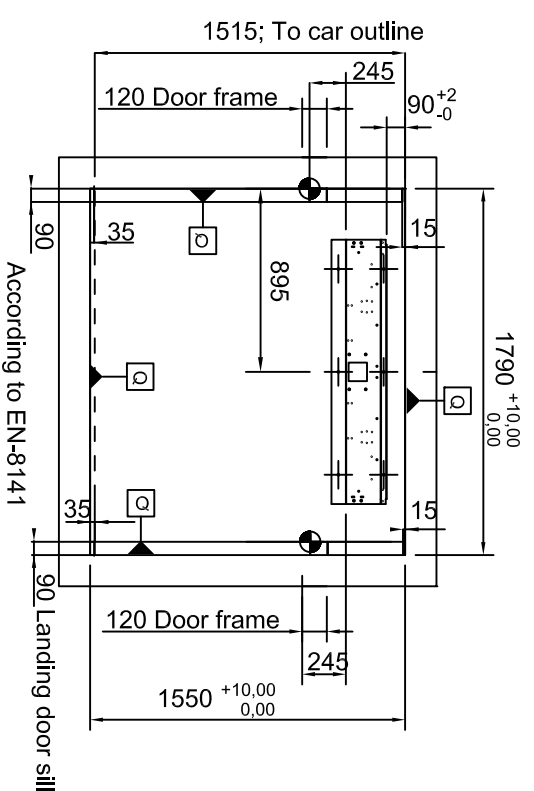
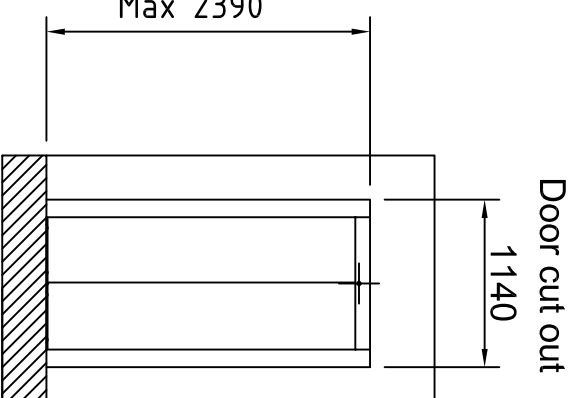
C1 (1:30)



A0 (1:30)



Min 2200
Max 2390



LMQ

Approved by
builder:



Tender no
A6000 - 1100*1400
Principal drawing
Cut out sizes

Order no

Gen. Tolerances
SS-ISO 27681-1 m

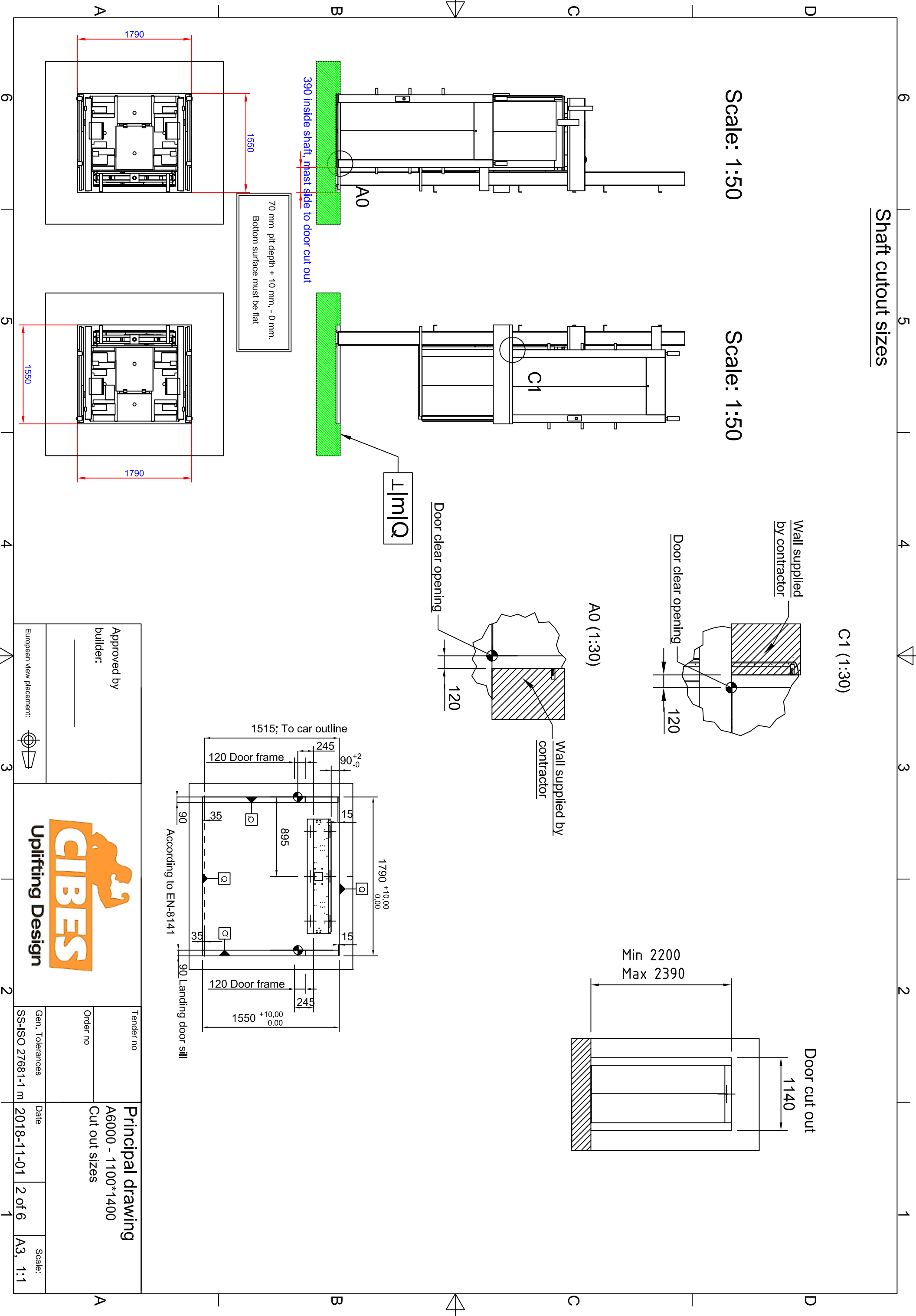
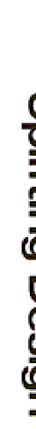
Date

2018-11-01

Scale:

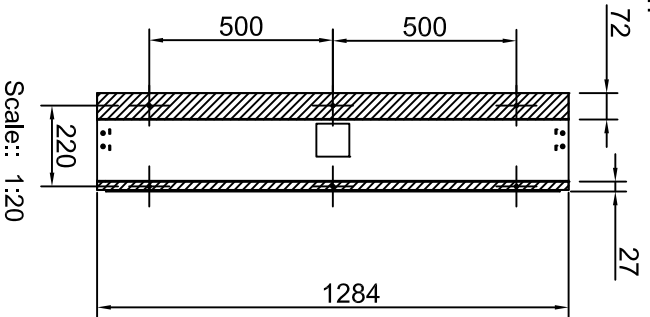
2 of 6
A3, 1:1

European view placement:



Loads sustained by shaft and platform
and fixing points bottom frame

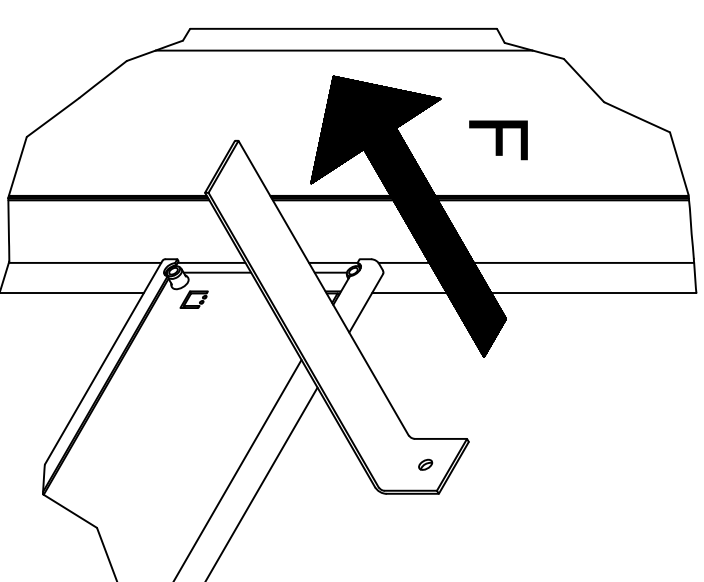
▨ Pit Load: 110kN/m²



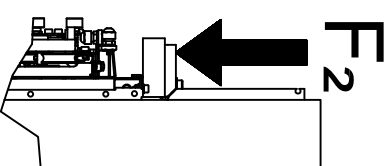
Recommended positioning of fixing points. Note: general view

Loads per fixing point, $F=1250\text{ N}$

A (1:5)

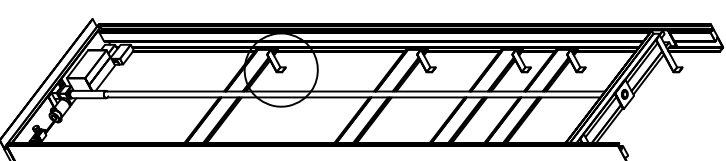


B (1:10)

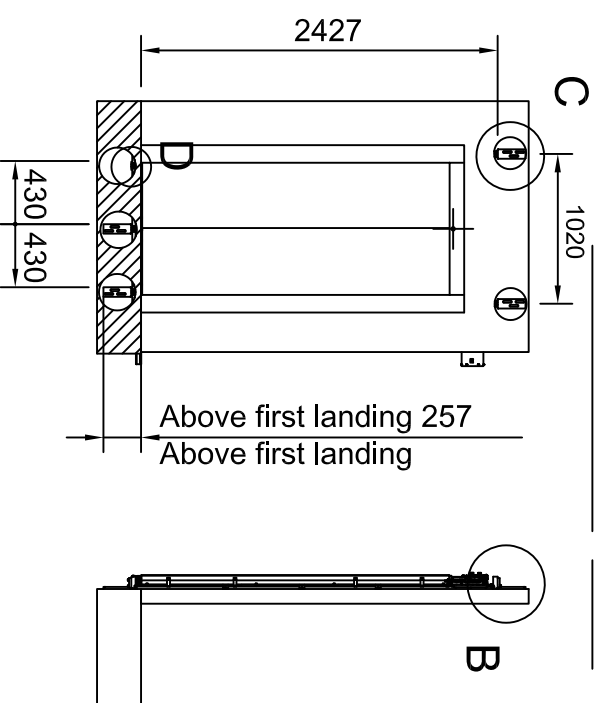


Scale: 1:50

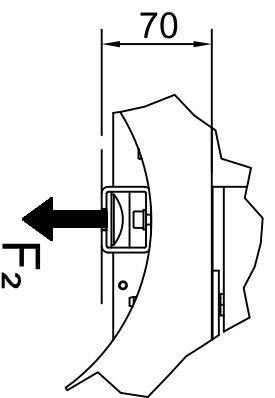
A



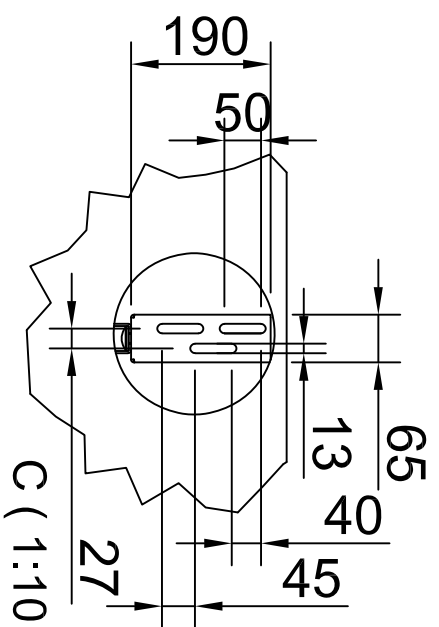
Landing door fixing points.
Number of fixing points: 5
Load per fixing point: $F_2=150\text{ N}$



D (1:10)



C (1:10)



Approved by
builder:

European view placement:



Tender no

Principal drawing
A6000 - 1100*1400

Order no

Loads and forces

Gen. Tolerances

SS-ISO 27681-1 m

Date

2018-11-01

3 of 6

Scale:
A3, 1:1