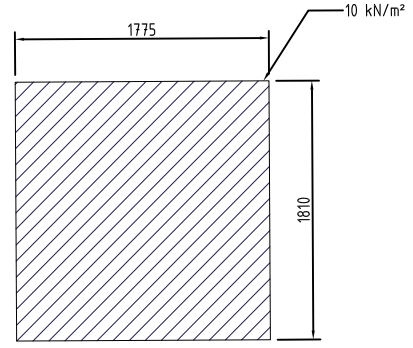
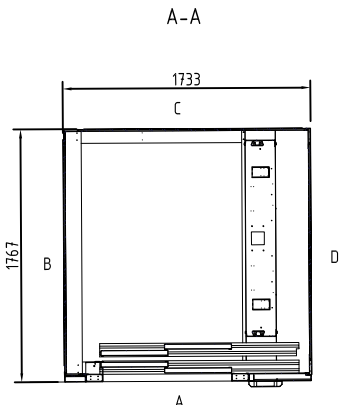


Fixing point load:
F = 4 kN/point

Cut out size

Pit load calculation



Typical load on pit, L- section		
Travel	Force	Load
3,2 m	16 kN	48 kN/m ₂

Typical load on pit, mast side		
Travel	Force	Load
3,2 m	15 kN	29 kN/m ₂

