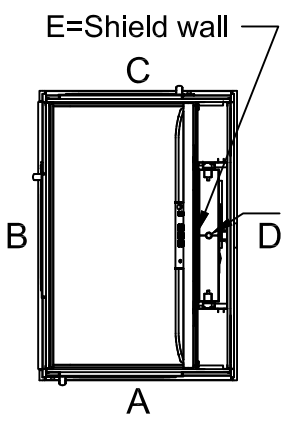


Positioning of machinery:



E=Shield wall
 At the start of the lift installation a lifting eye bolt for a rated load of 500 kg has to be provided at the position of the symbol marked on the drawing

Options
 4 kW Frekv 3x400V 50-60 Hz Soft
 Capacity: 1 000,00 kg

Approved by
 builder:

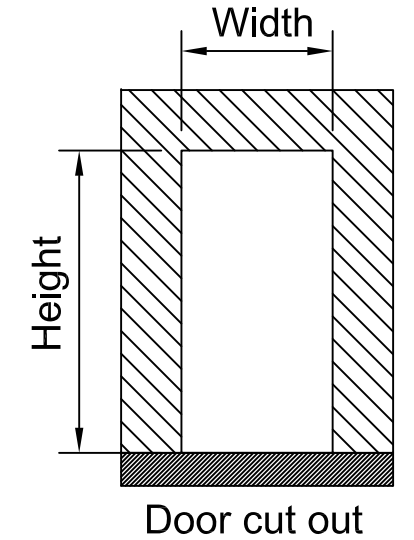
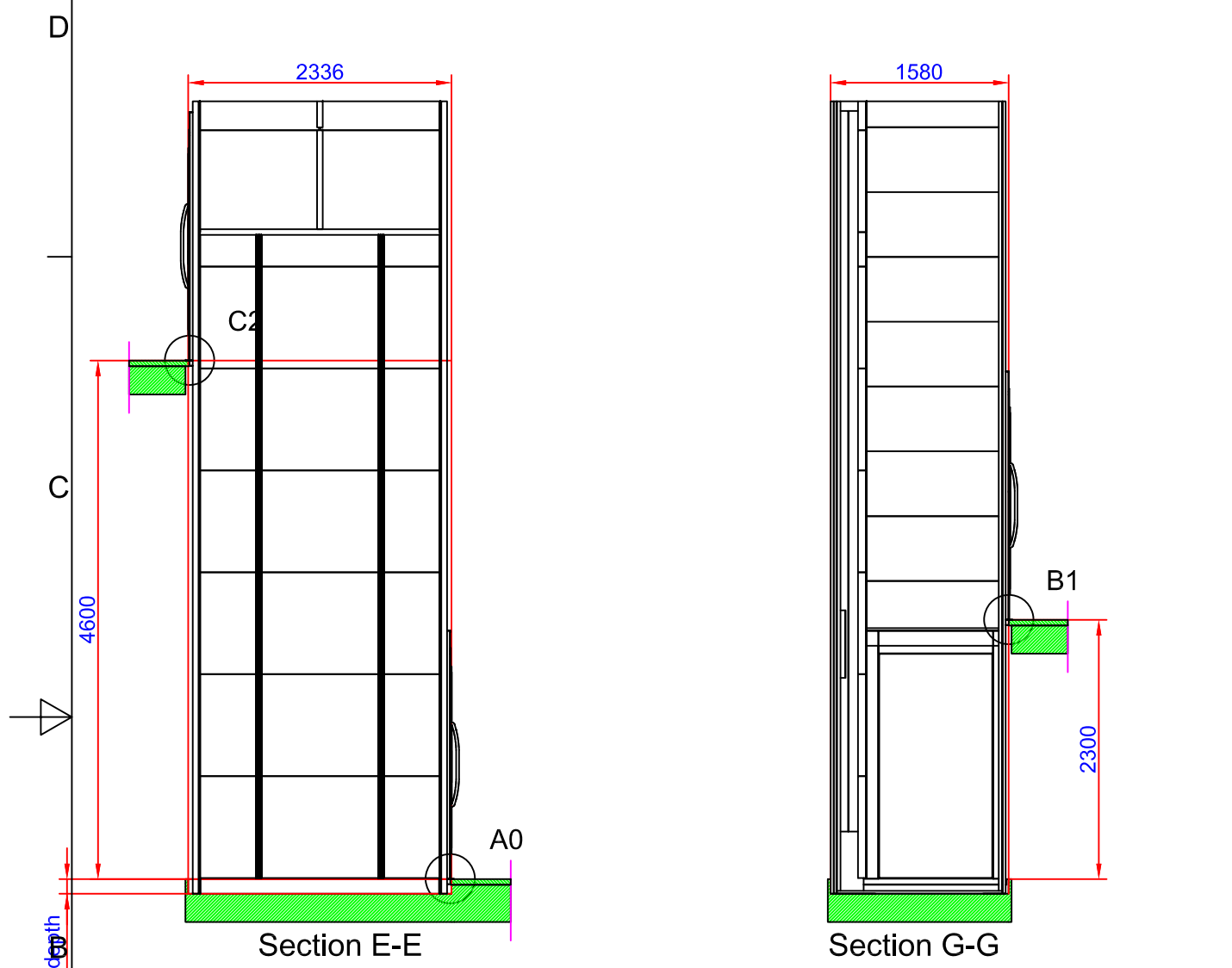
European view placement:



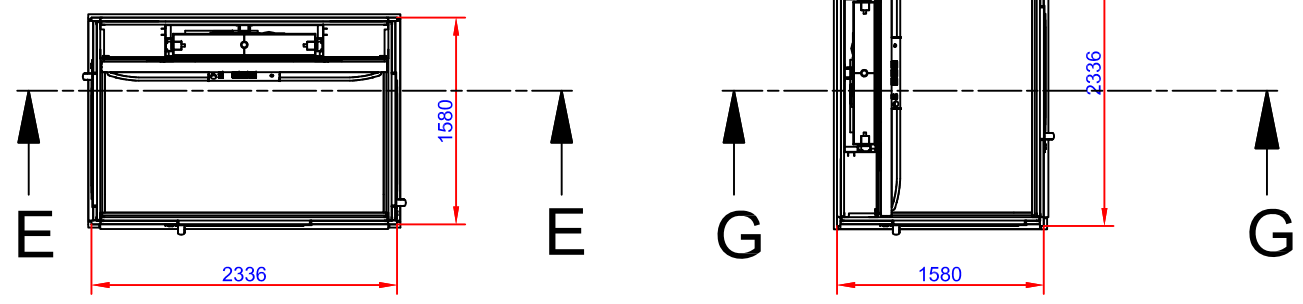
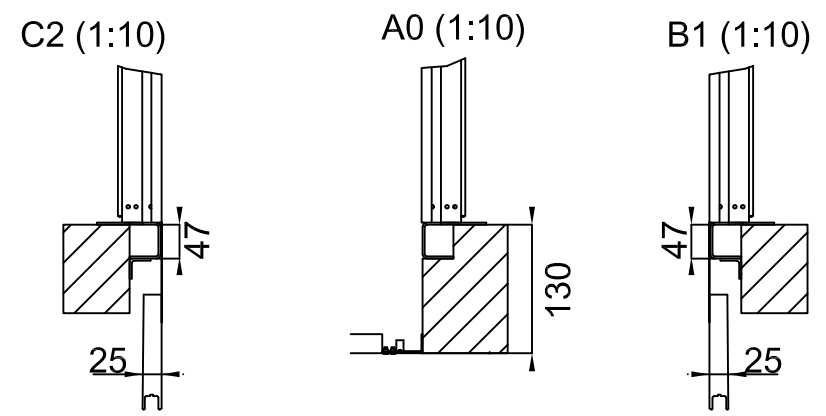
Tender no	Principal drawing		
Order no	A8000 - 1105*2180		
	Shaft drawing		
Gen. Tolerances	Date	sheet	Scale:
SS-ISO 27681-1 m	2018-11-01	1 of 7	A3, 1:1

Shaft cutout sizes

Door front cutout sizes		
Landing	Width	Height
A 0	1555	2250
B 1	2280	2250
C 2	1555	2250

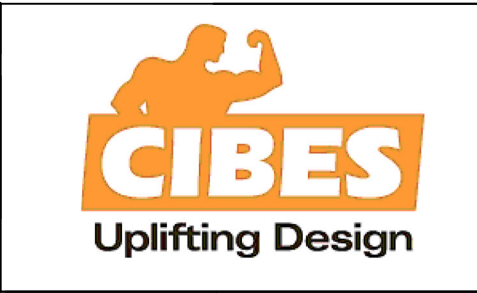


130 mm pit depth. Bottom surface must be flat + 10 mm



Approved by builder: _____

European view placement:



Tender no	Principal drawing A8000 - 1105*2180 Cut out sizes		
Order no			
Gen. Tolerances SS-ISO 27681-1 m	Date 2018-11-01	sheet 2 of 7	Scale: A3, 1:1

6 5 4 3 2 1

Loads sustained by shaft and platform
and fixing points bottom frame

Recommended positioning of fixing points.
Loads per fixing point, F= 4 kN

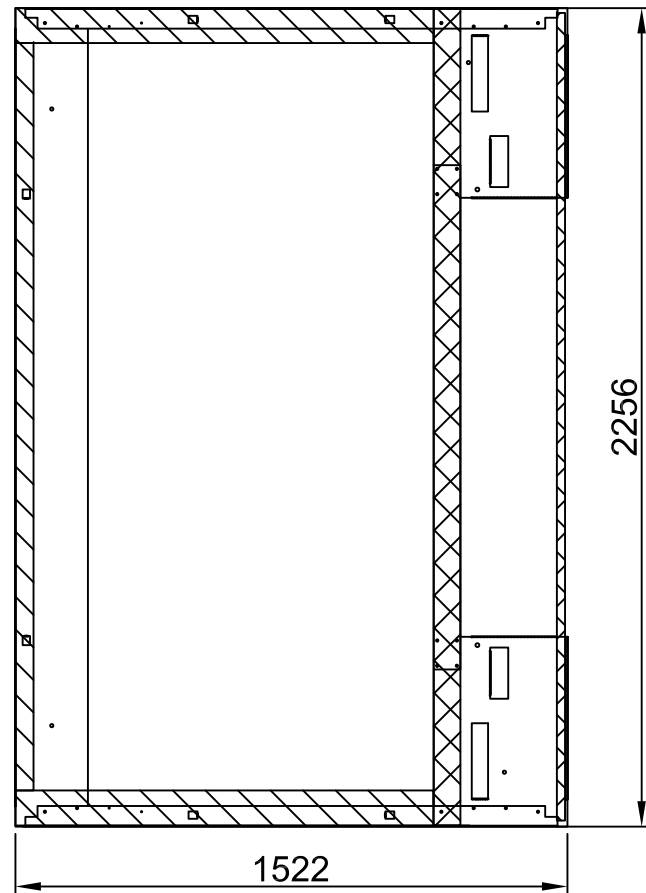
A (1 : 5)



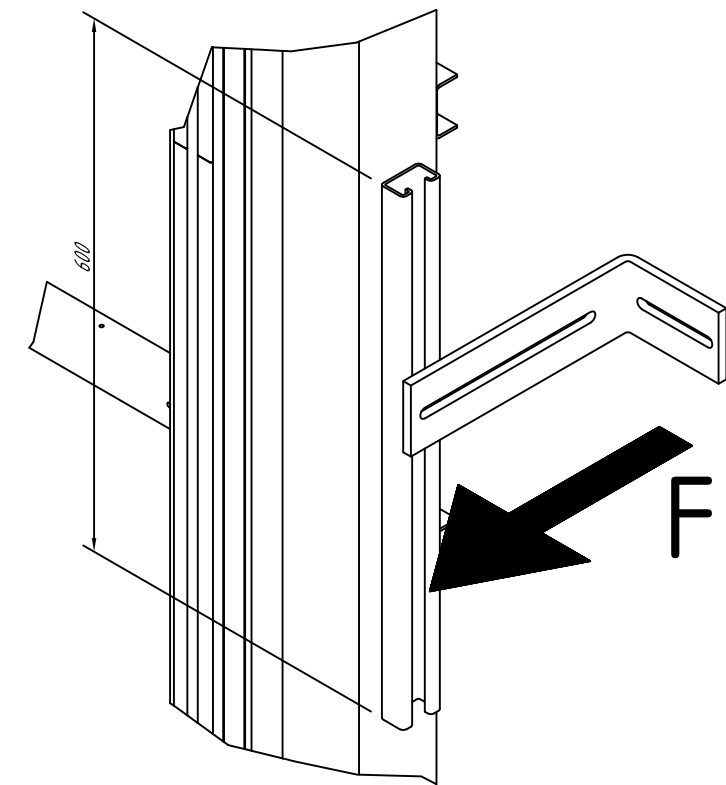
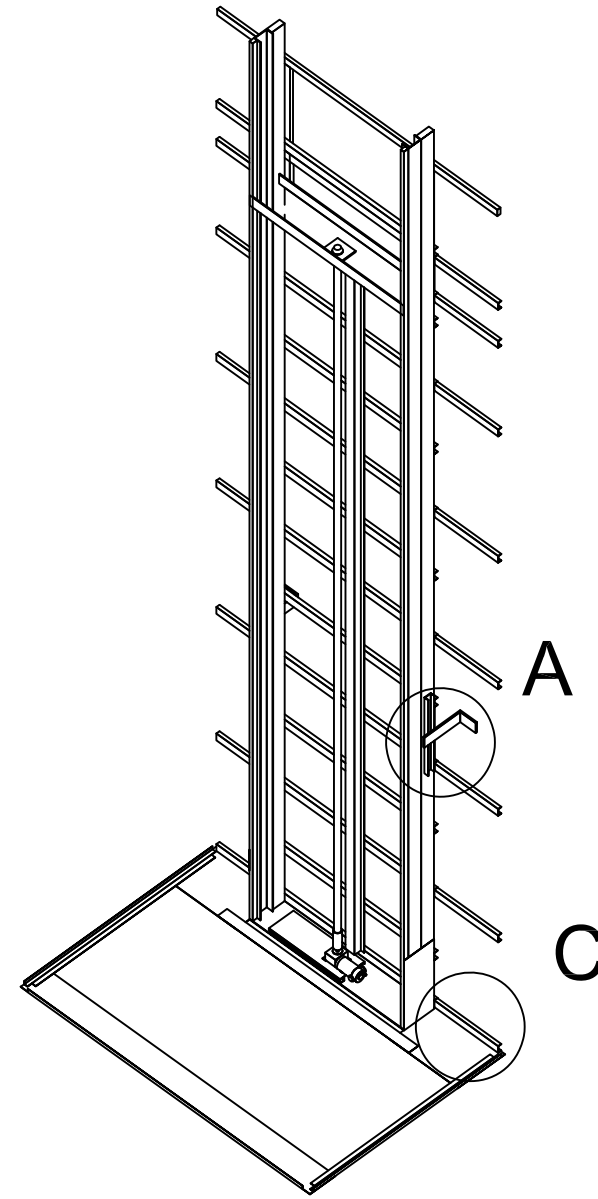
L section force: 3,48 kN
L section load: 11,41 kN/m²



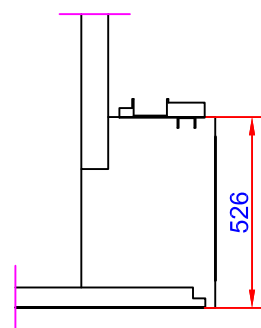
Mast force: 15,85 kN
Mast load: 127,82 kN/m²


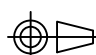


Scale: 1:20

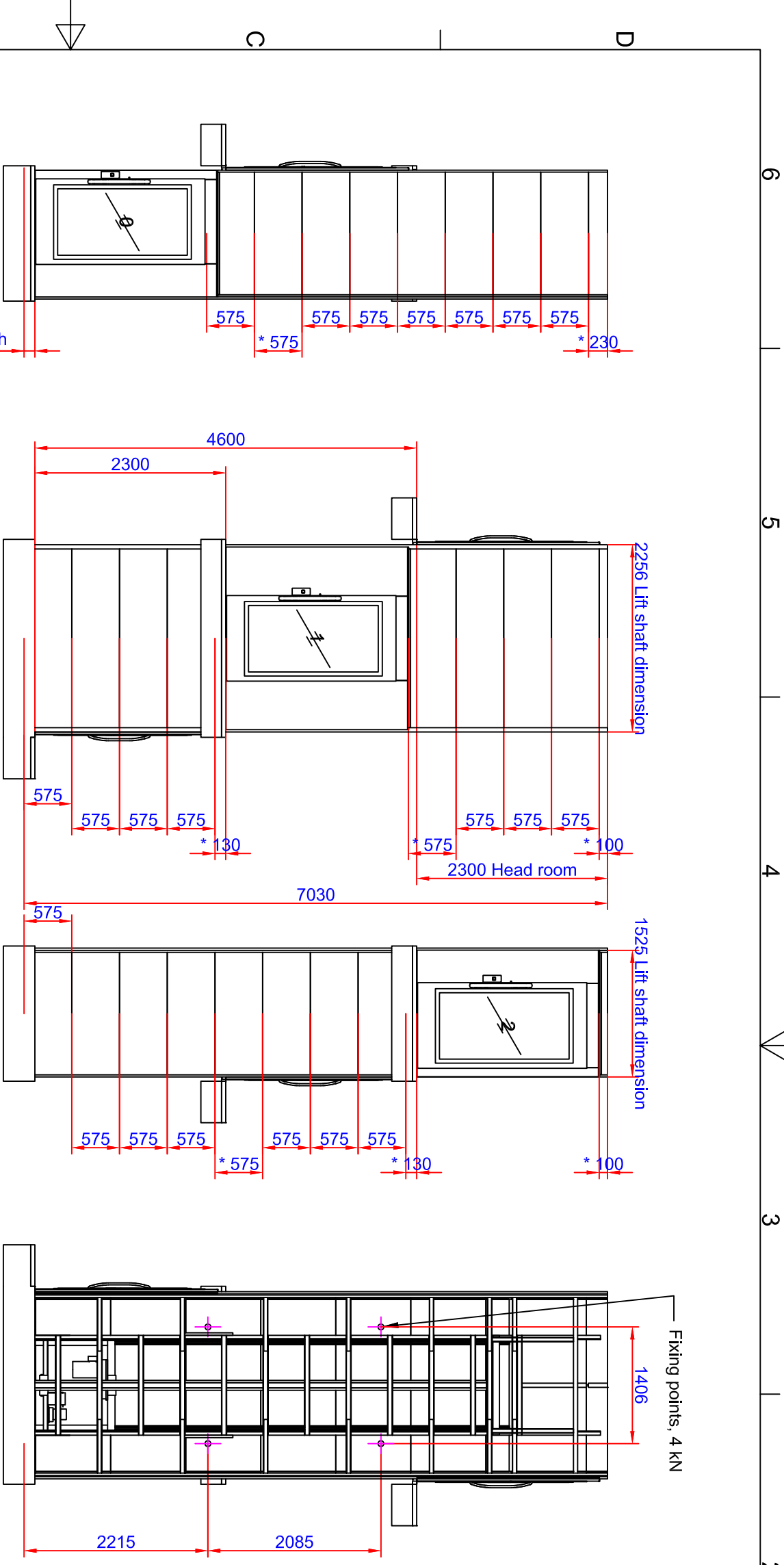


C (1 : 20)

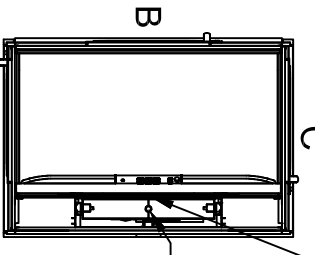


Approved by builder: _____			Tender no		Principal drawing A8000 - 1105*2180 Loads and forces	
			Order no			
European view placement: 	Gen. Tolerances SS-ISO 27681-1 m		Date 2018-11-01	sheet 3 of 7	Scale: A3, 1:1	

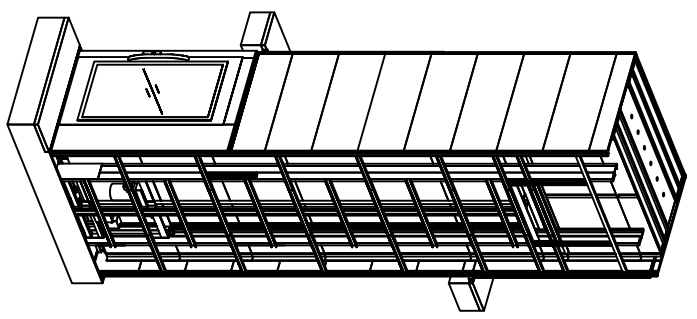
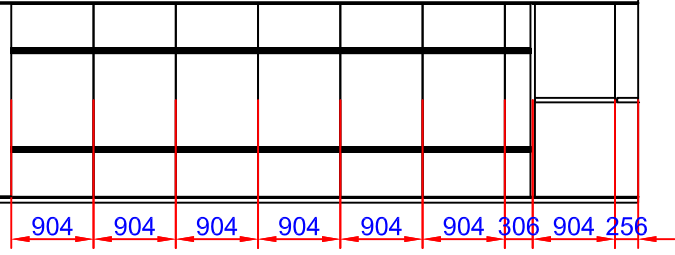
6 5 4 3 2 1



Positioning of machinery:



At the start of the lift installation a lifting eye bolt for a rated load of 500 kg has to be positioned at the position of the symbol marked on the drawing



Options
 4 kW Frekv 3x400V 50-60 Hz Soft
 Capacity: 1 000,00 kg

*To be adapted on site
 **Customized panel

Approved by
 builder:

European view placement:



Principal drawing
 A8000 - 1105*2180
 Shaft drawing

Tender no
 Order no

Gen. Tolerances
 SS-ISO 27681-1 m

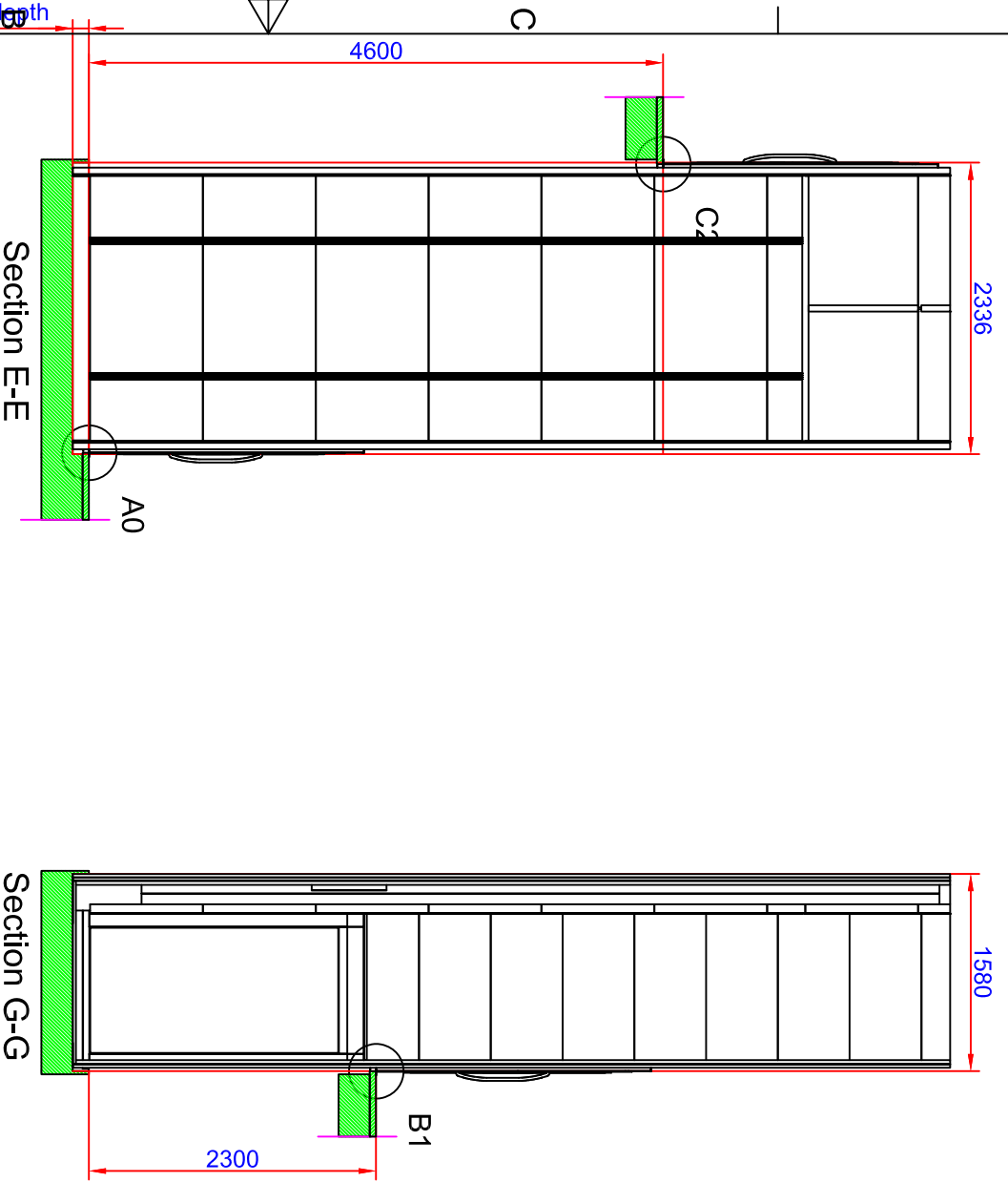
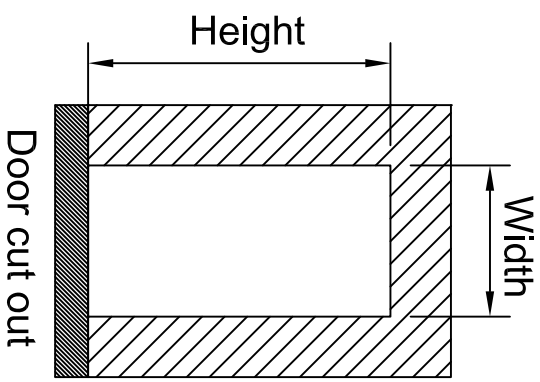
Date
 2018-11-01

sheet
 1 of 7

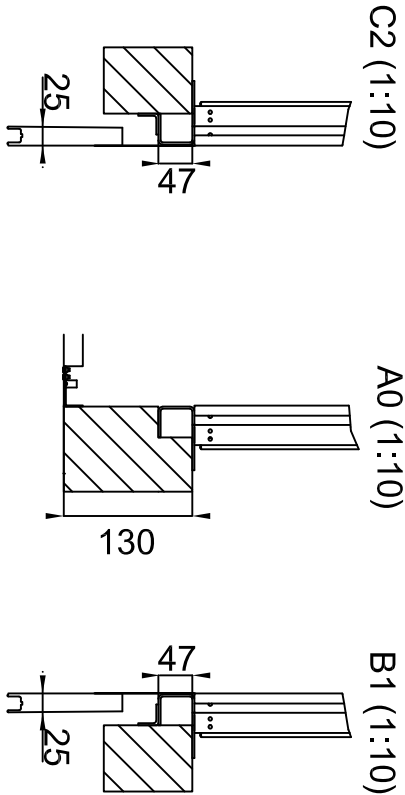
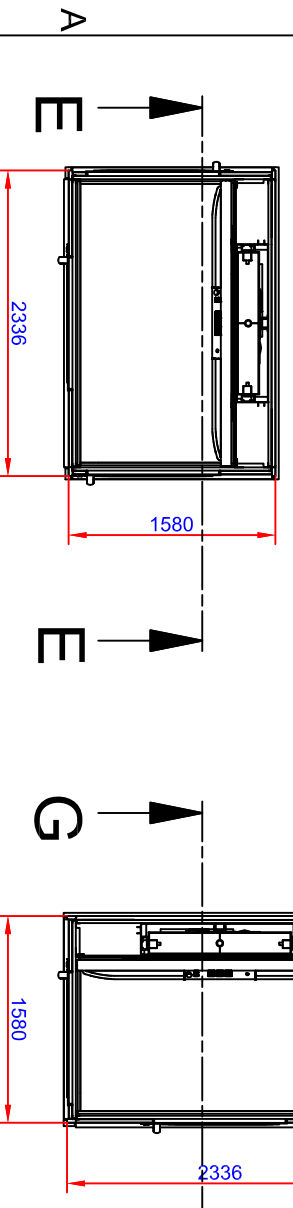
Scale:
 A3, 1:1

Shaft cutout sizes

Door front cutout sizes		
Landing	Width	Height
A 0	1555	2250
B 1	2280	2250
C 2	1555	2250



130 mm pit depth. Bottom surface must be flat + 10 mm



Approved by
builder:


European view placement:

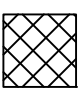


Principal drawing
A8000 - 1105*2180
Cut out sizes

Tender no	A8000 - 1105*2180	
Order no	Cut out sizes	
Gen. Tolerances	SS-ISO 27681-1 m	Date
2018-11-01	sheet	Scale:
2 of 7	A3, 1:1	

Loads sustained by shaft and platform
and fixing points bottom frame

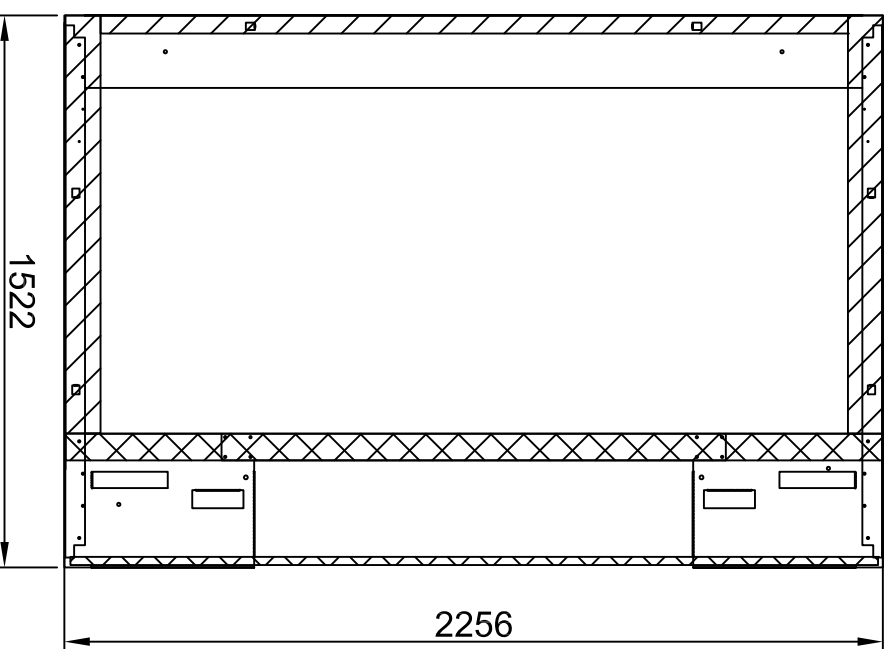
 L section force: 3,48 kN
L section load: 11,41 kN/m²

 Mast force: 15,85 kN
Mast load: 127,82 kN/m²

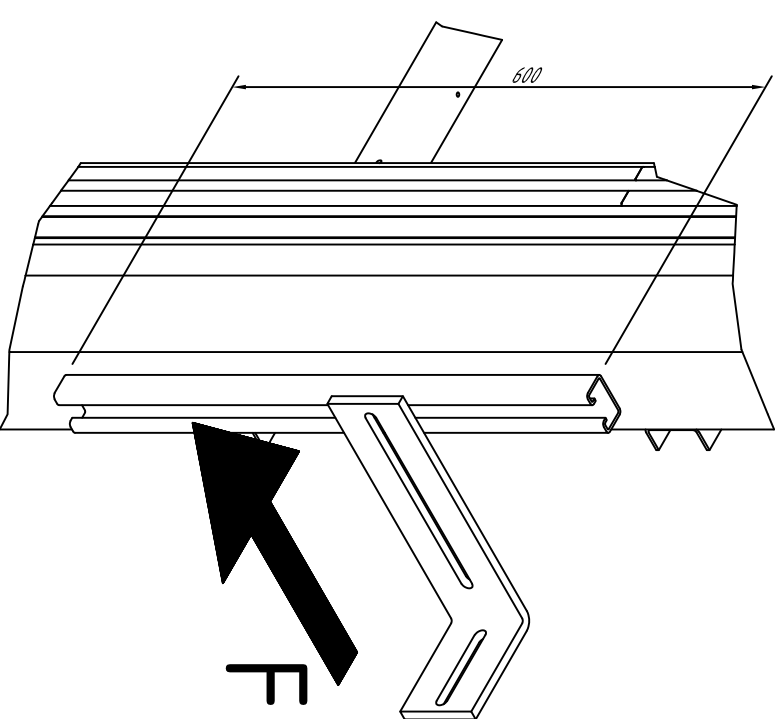
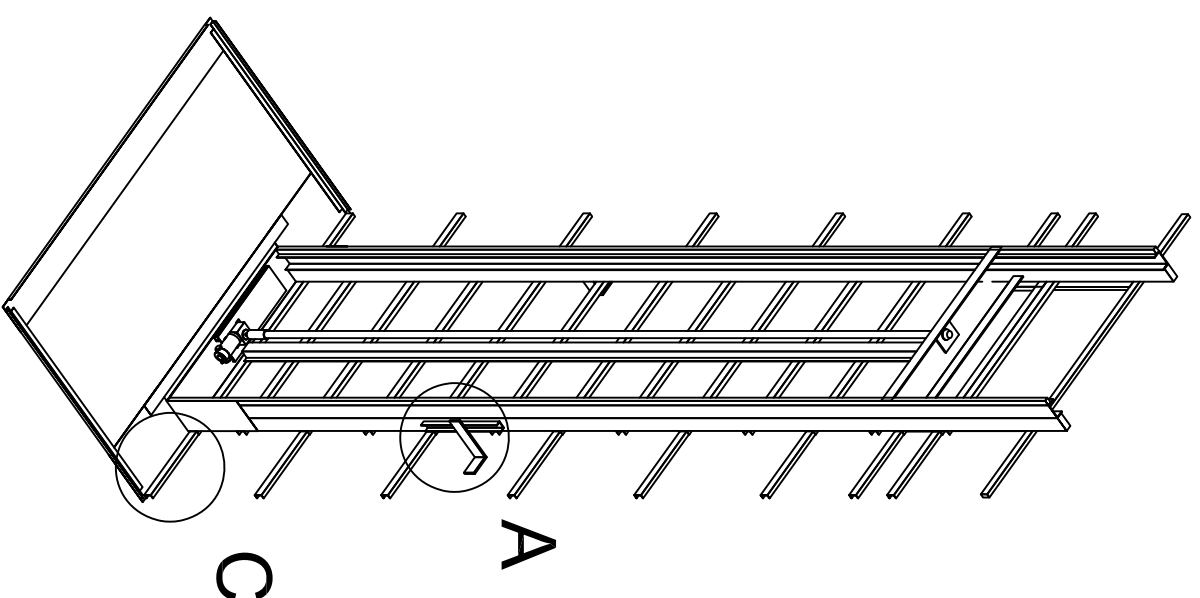
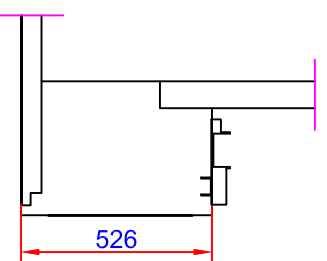
Recommended positioning of fixing points.
Loads per fixing point, F= 4 kN

A (1 : 5)

Scale: 1:20



C (1 : 20)



A

B

C

D

6

5

4

3

2

1

A

B

C

D

Approved by
builder:

European view placement:



Tender no

Order no

Gen. Tolerances
SS-ISO 27681-1 m

Principal drawing
A8000 - 1105*2180
Loads and forces

Date

sheet
3 of 7

Scale:
A3, 1:1

6

5

4

3

2

1