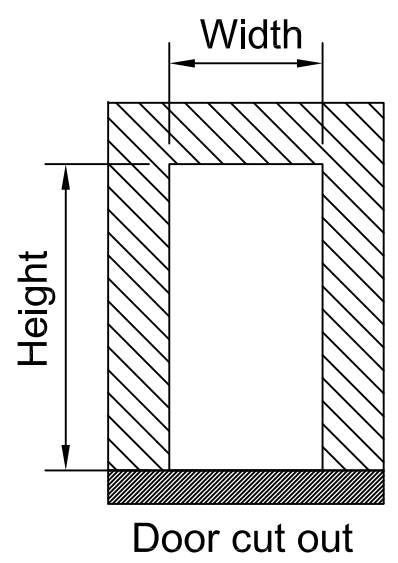
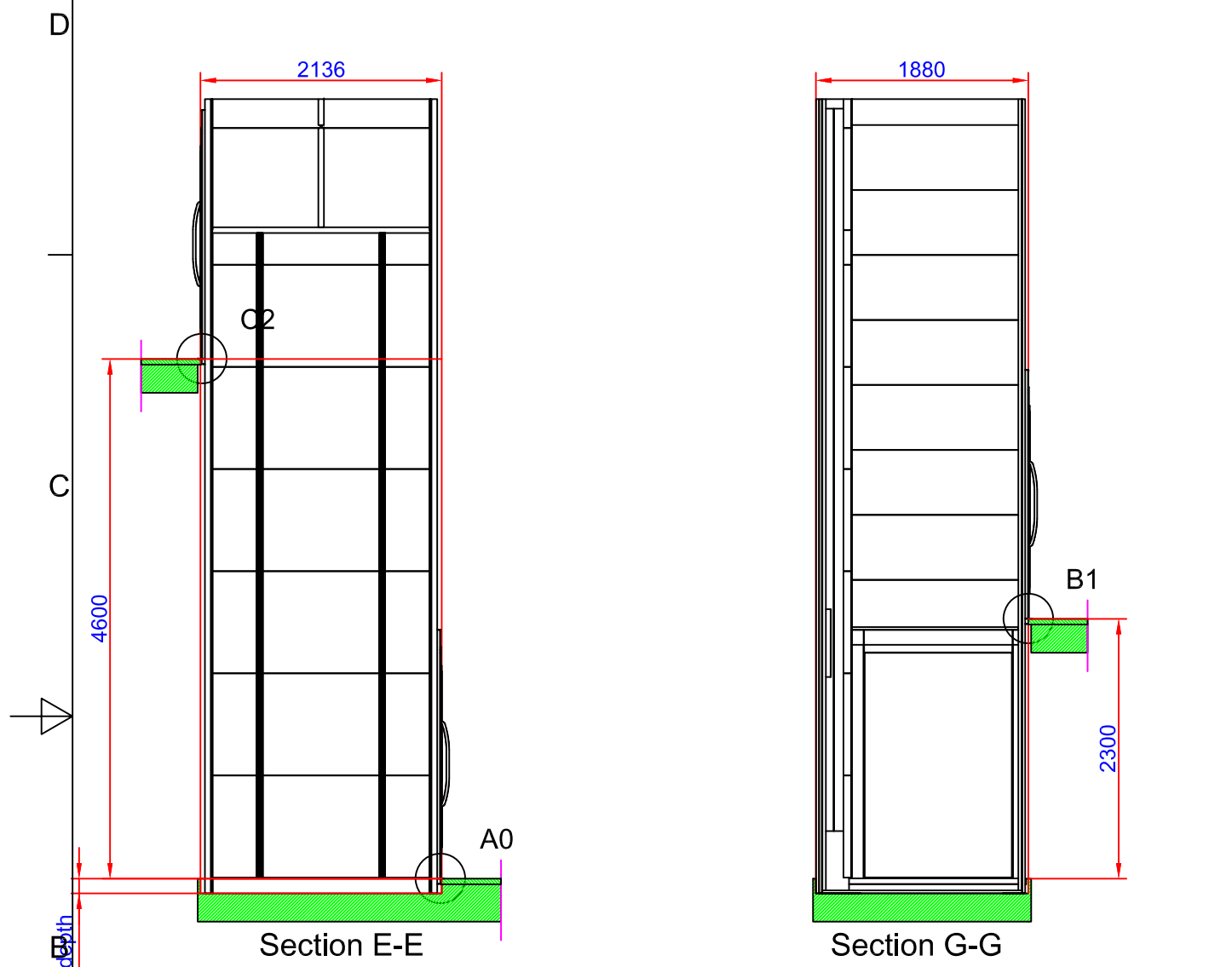


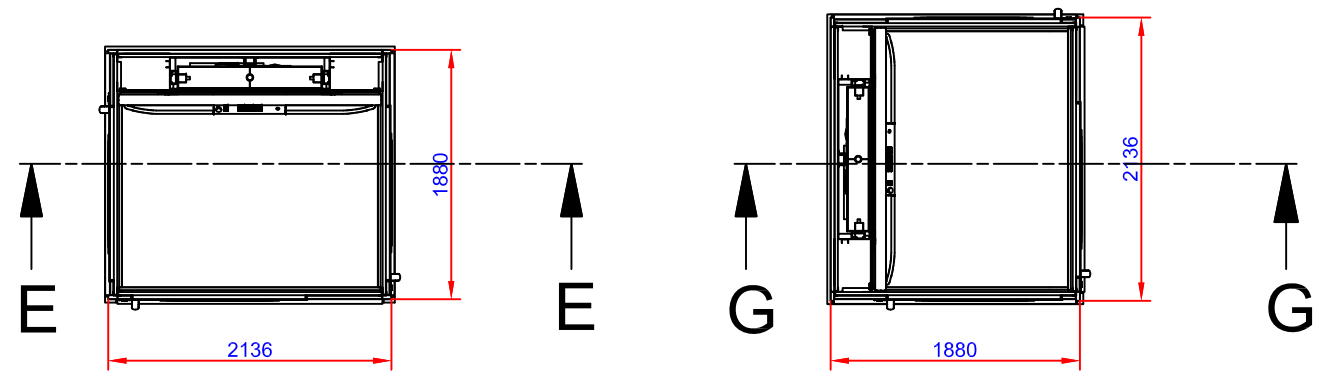
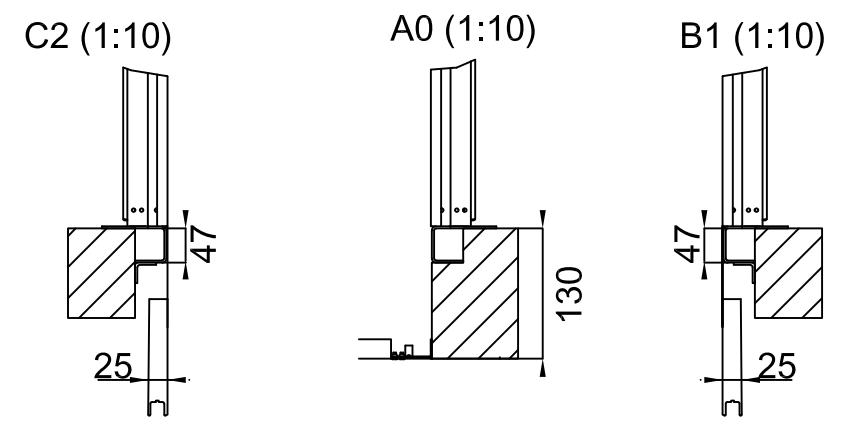


# Shaft cutout sizes

Door front cutout sizes		
Landing	Width	Height
A 0	1855	2250
B 1	2080	2250
C 2	1855	2250



130 mm pit depth. Bottom surface must be flat + 10 mm



Approved by builder:  
\_\_\_\_\_

European view placement:



Tender no	Principal drawing A8000 - 1405*1980 Cut out sizes		
Order no			
Gen. Tolerances SS-ISO 27681-1 m	Date 2018-11-01	sheet 2 of 7	Scale: A3, 1:1

6 5 4 3 2 1

Loads sustained by shaft and platform  
and fixing points bottom frame

Recommended positioning of fixing points.  
Loads per fixing point, F= 4 kN

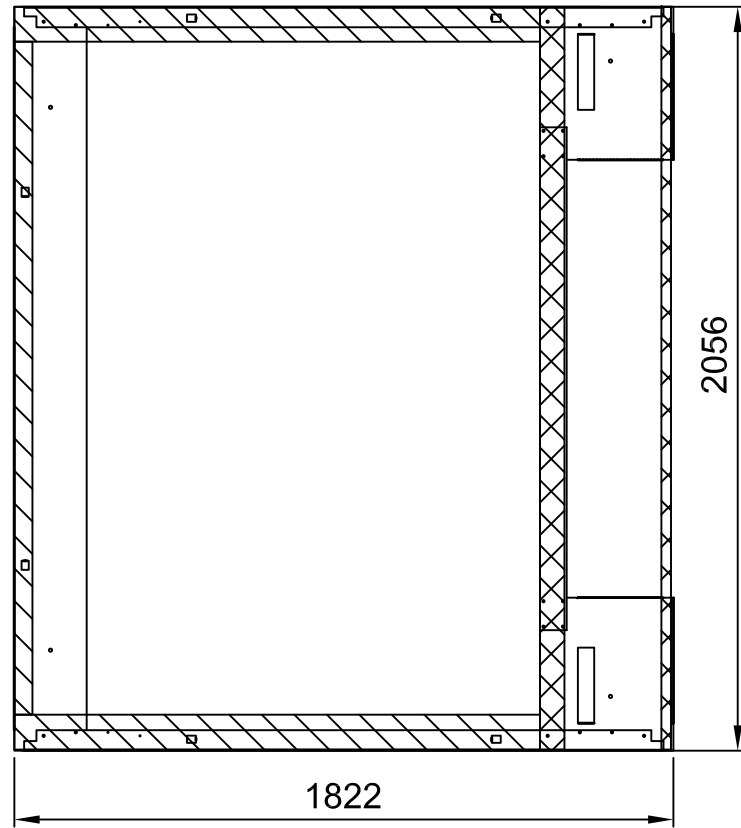
**A (1:5)**



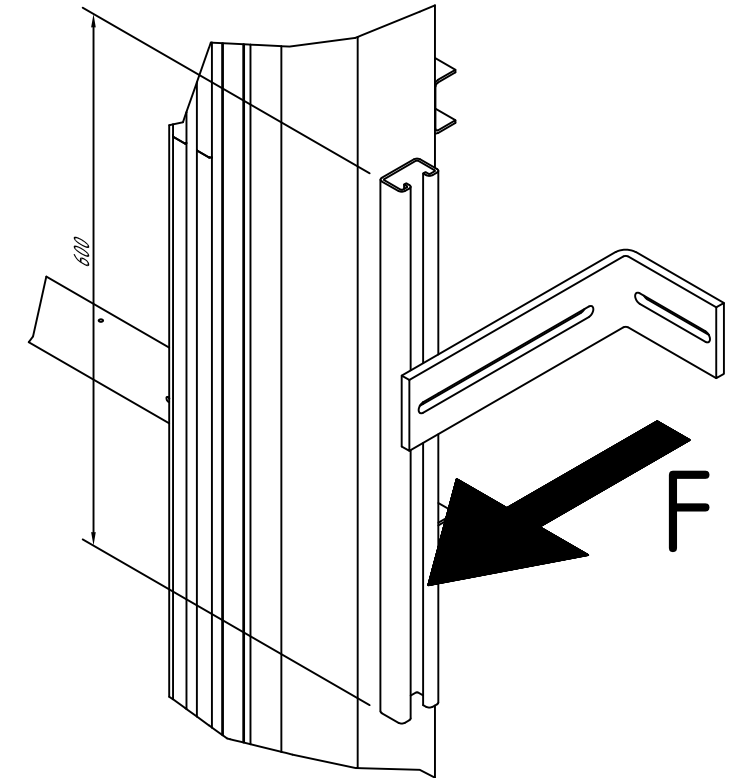
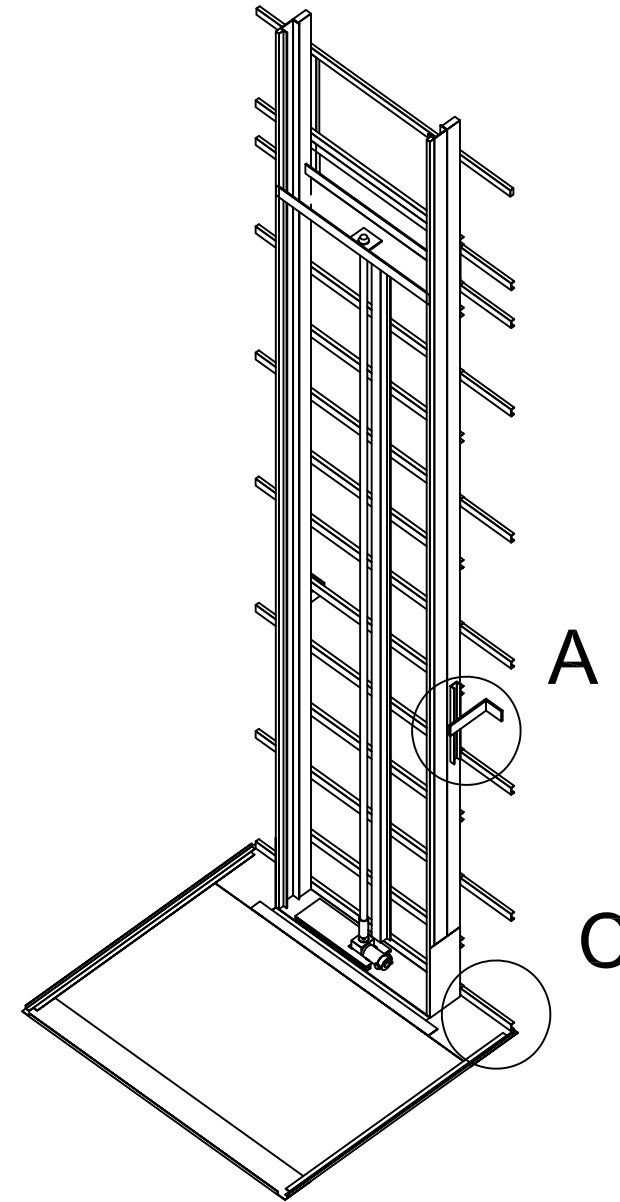
L section force: 3,48 kN  
L section load: 11,41 kN/m<sup>2</sup>



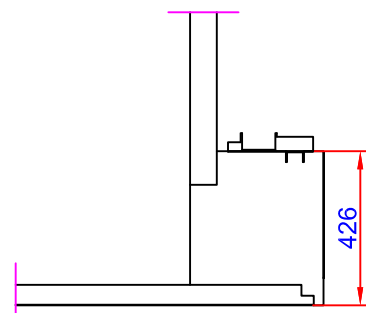
Mast force: 15,85 kN  
Mast load: 127,82 kN/m<sup>2</sup>



Scale: 1:20



**C (1:20)**



Approved by  
builder:

\_\_\_\_\_

European view placement:



Tender no

Order no

Gen. Tolerances

SS-ISO 27681-1 m

**Principal drawing**

A8000 - 1405\*1980

Loads and forces

Date

2018-11-01

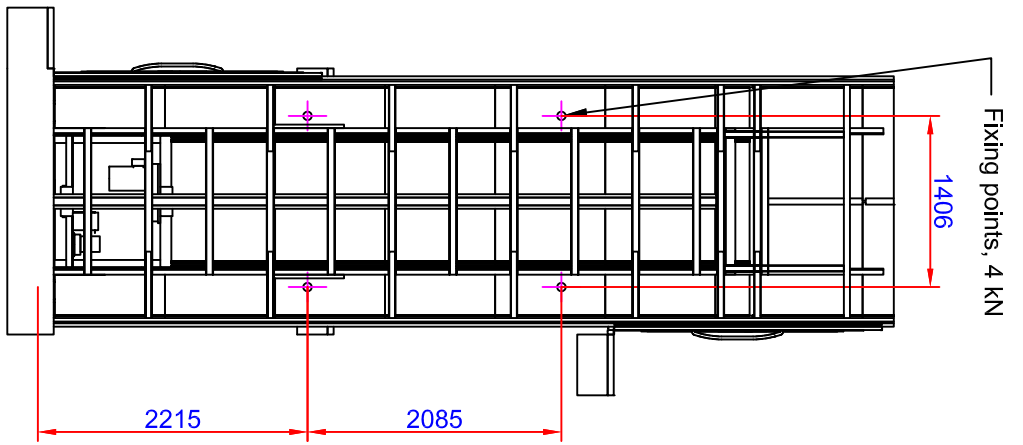
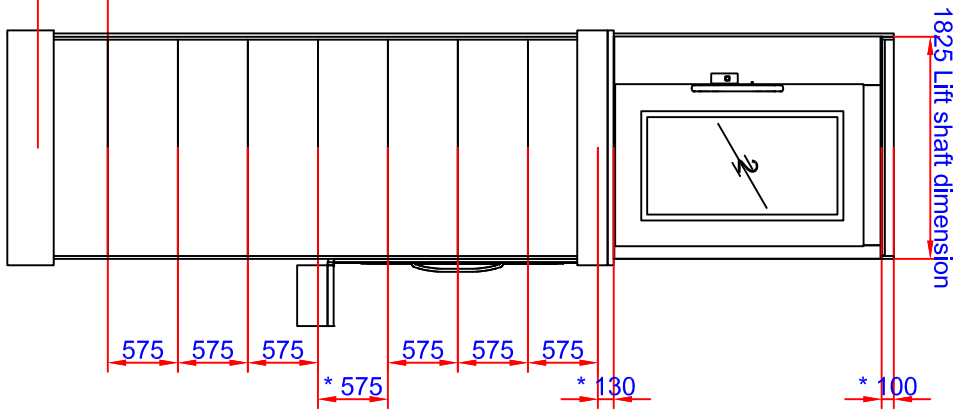
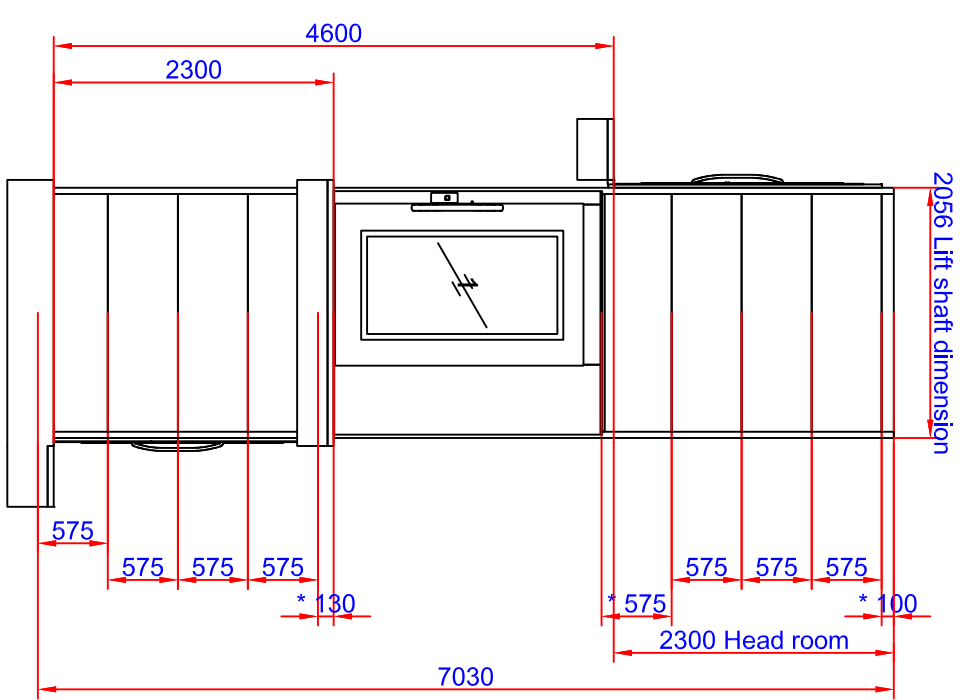
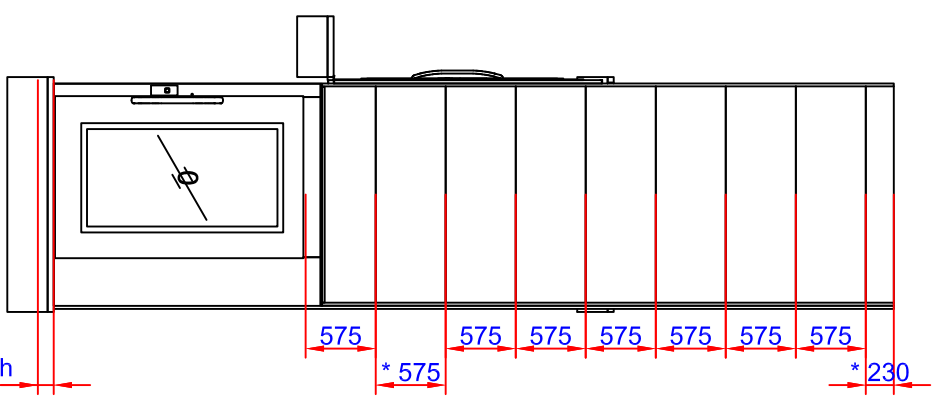
sheet

3 of 7

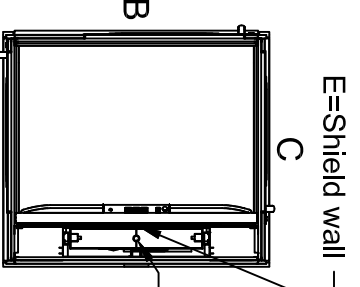
Scale:

A3, 1:1

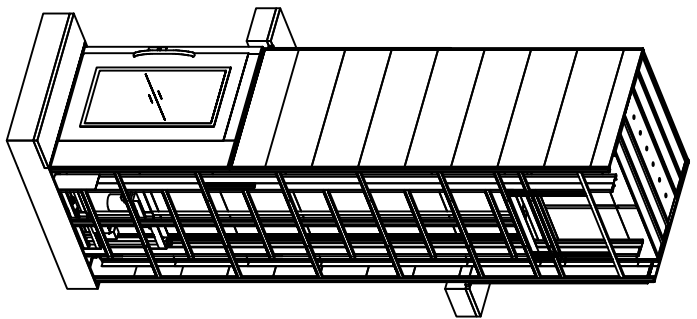
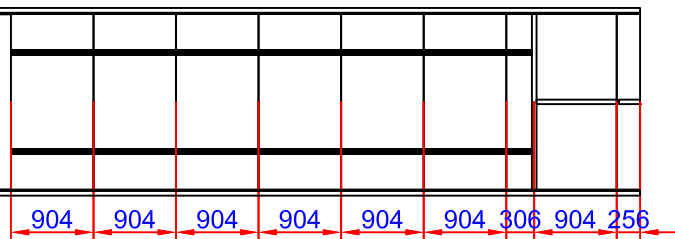
6 5 4 3 2 1



**Positioning of machinery:**



At the start of the lift installation a lifting eye bolt for a rated load of 500 kg has to be provided at the position of the symbol marked on the drawing



**Options**  
 4 kW Frekv 3x400V 50-60 Hz Soft  
 Capacity: 1 000,00 kg

\*To be adapted on site  
 \*\*Customized panel

Approved by  
 builder:

European view placement:



Tender no

Order no

**Principal drawing**  
 A8000 - 1405\*1980  
 Shaft drawing

Gen. Tolerances  
 SS-ISO 27681-1 m

Date

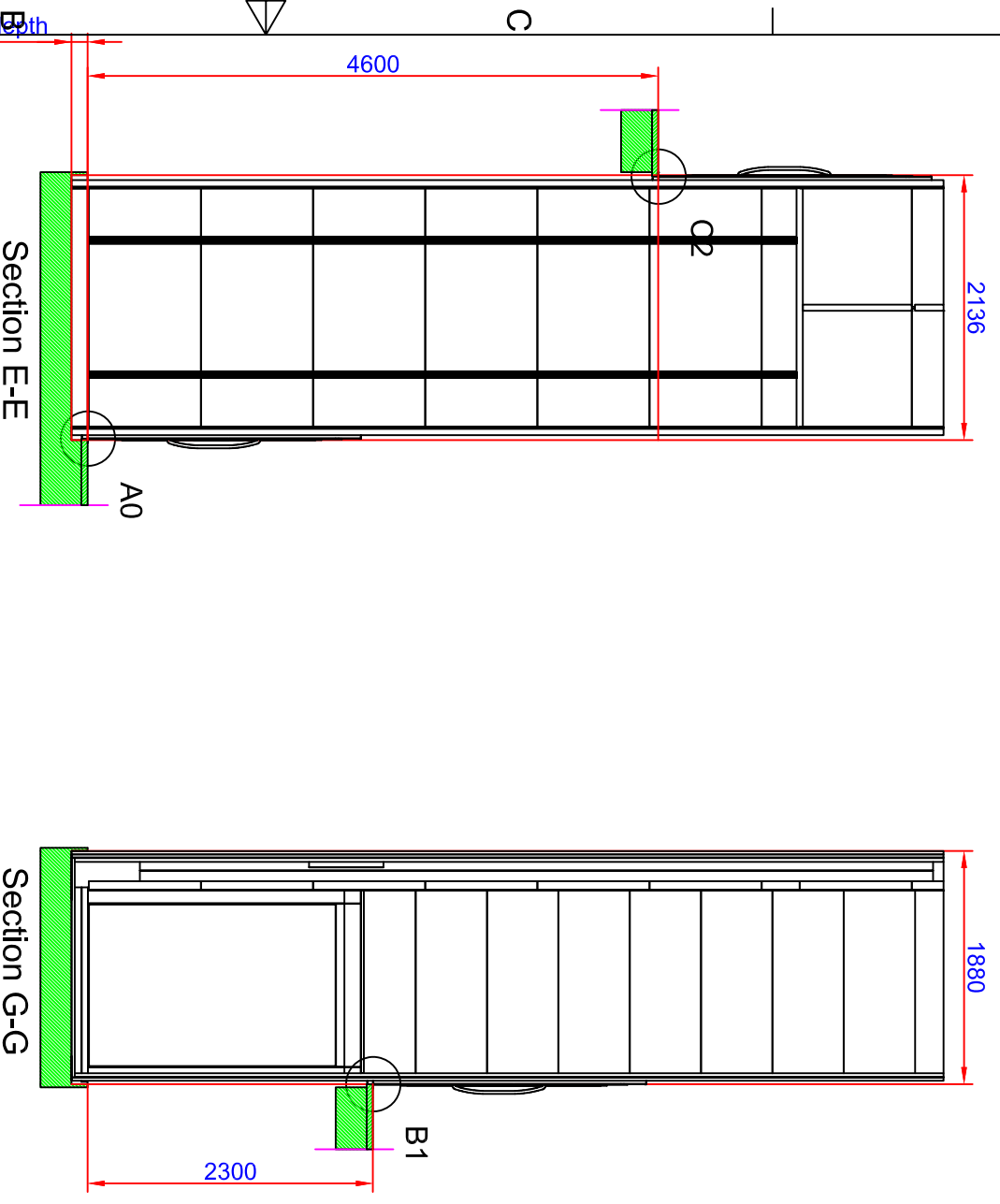
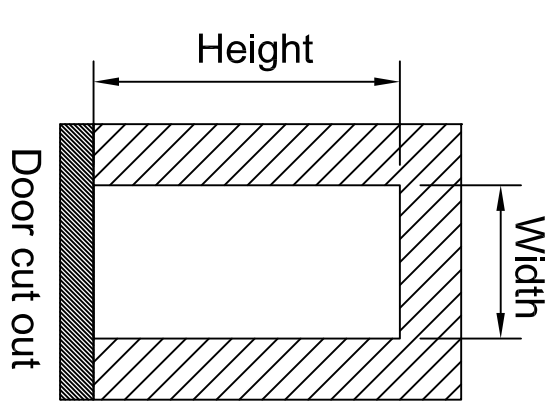
2018-11-01

sheet  
 1 of 7

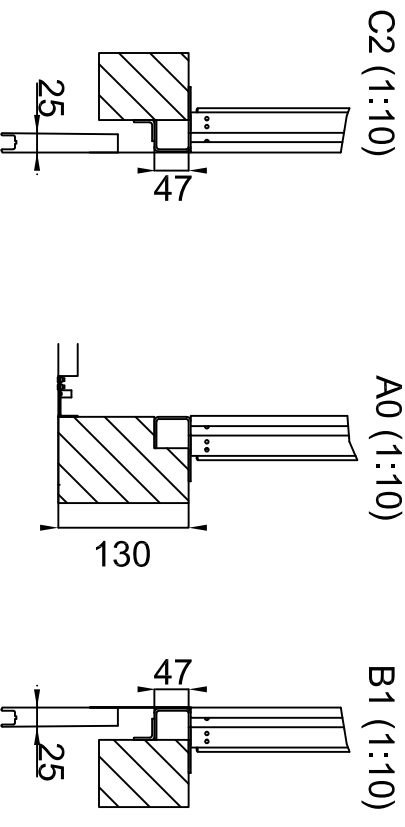
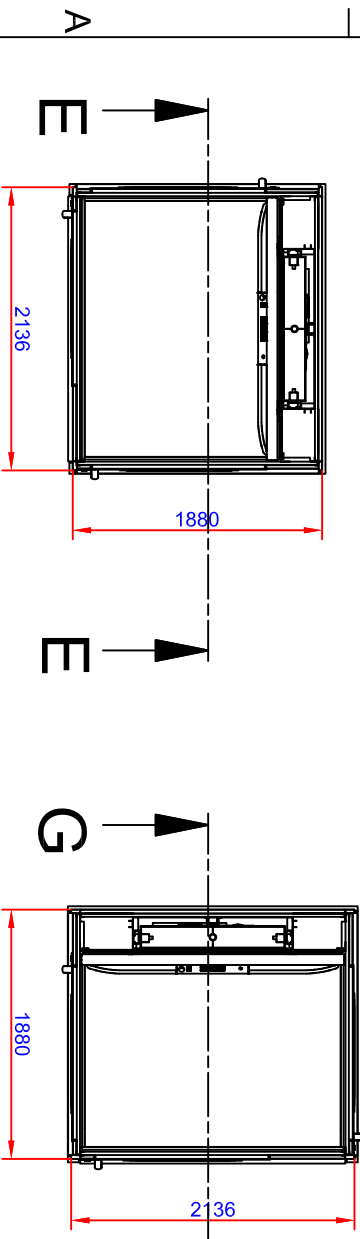
Scale:  
 A3, 1:1

### Shaft cutout sizes

Door front cutout sizes		
Landing	Width	Height
A 0	1855	2250
B 1	2080	2250
C 2	1855	2250



130 mm pit depth. Bottom surface must be flat + 10 mm



Approved by  
builder: \_\_\_\_\_

European view placement: 

Tender no \_\_\_\_\_

Order no \_\_\_\_\_

Principal drawing  
A8000 - 1405\*1980  
Cut out sizes



Gen. Tolerances  
SS-ISO 27681-1 m

Date  
2018-11-01

sheet  
2 of 7

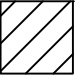
Scale:  
A3, 1:1

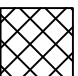
6 5 4 3 2 1

A B C D

A E E G G

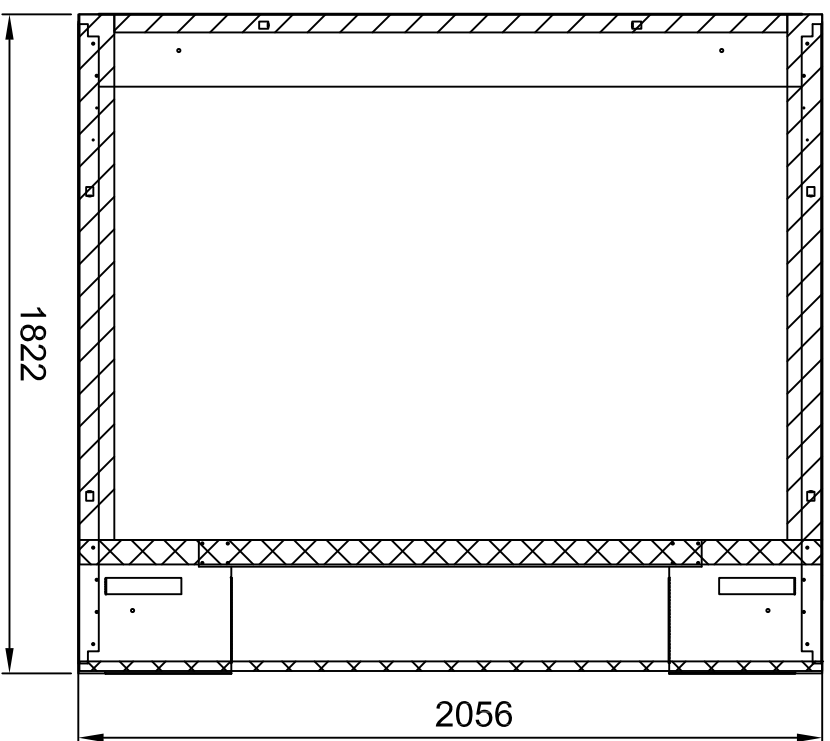
Loads sustained by shaft and platform  
and fixing points bottom frame

 L section force: 3,48 kN  
L section load: 11,41 kN/m<sup>2</sup>

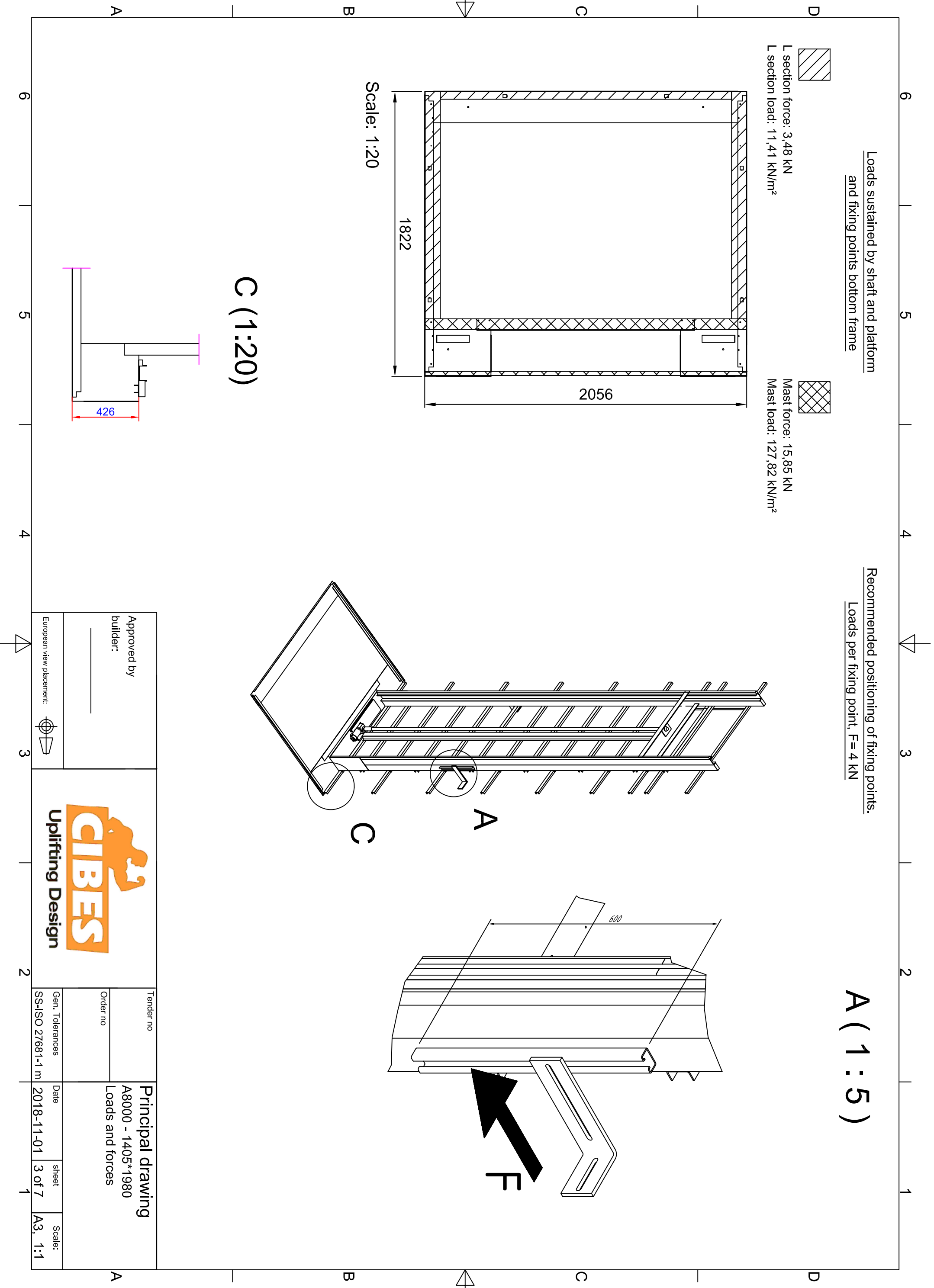
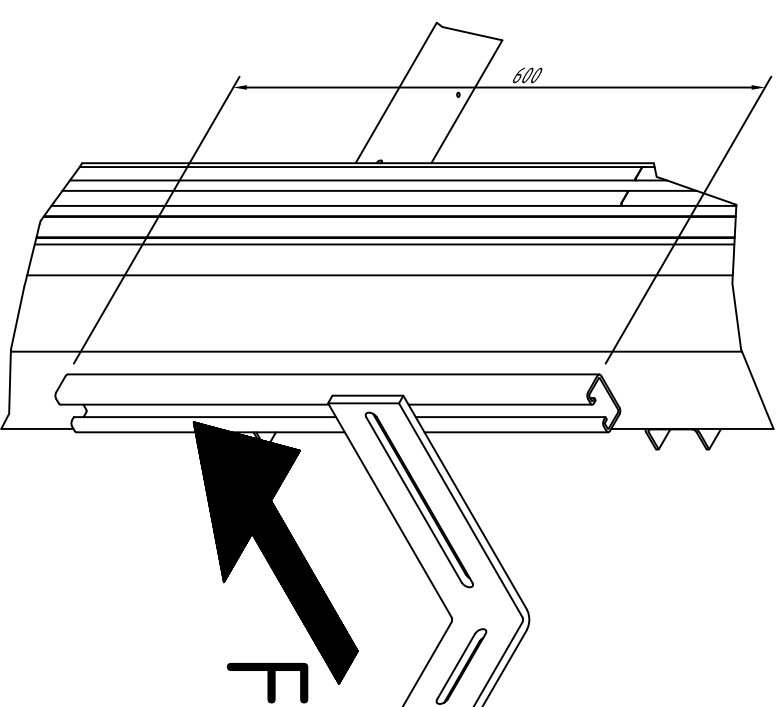
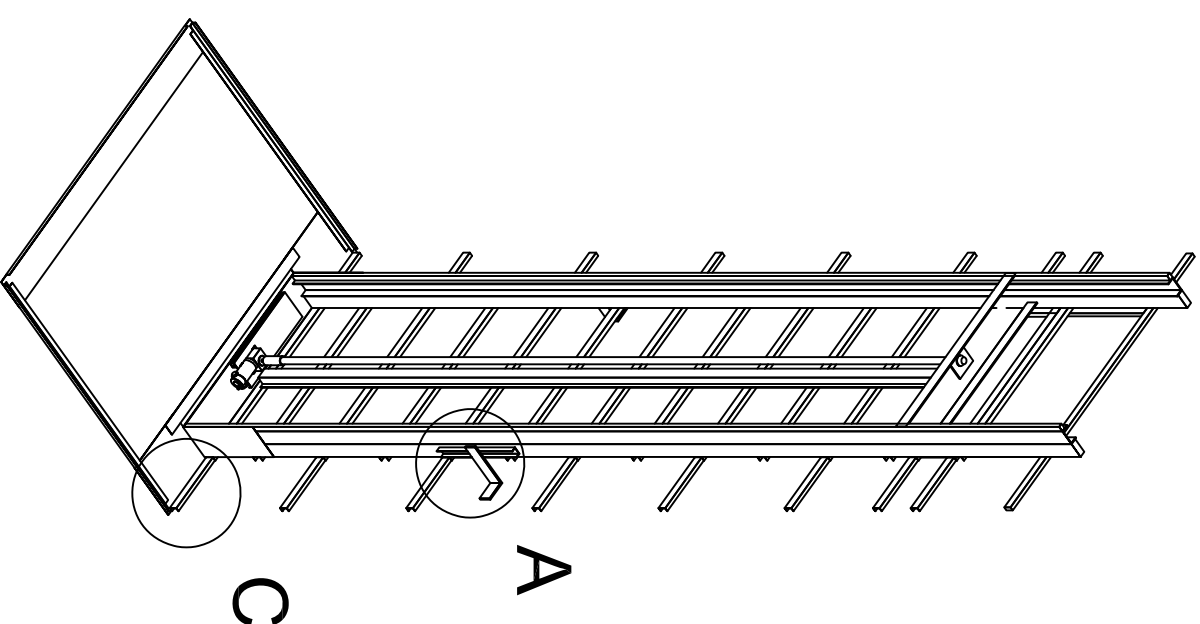
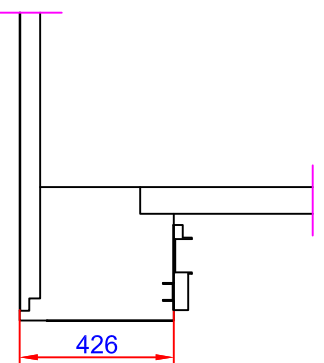
 Mast force: 15,85 kN  
Mast load: 127,82 kN/m<sup>2</sup>

Recommended positioning of fixing points.  
Loads per fixing point, F = 4 kN

A (1:5)



C (1:20)



A

B

C

D

6

5

4

3

2

1

6

5

4

3

2

1

A

B

C

D

Approved by  
builder:

\_\_\_\_\_

European view placement:



Tender no

Principal drawing  
A8000 - 1405\*1980  
Loads and forces

Order no

Gen. Tolerances

SS-ISO 27681-1 m

Date

2018-11-01

sheet

3 of 7

Scale:

A3, 1:1