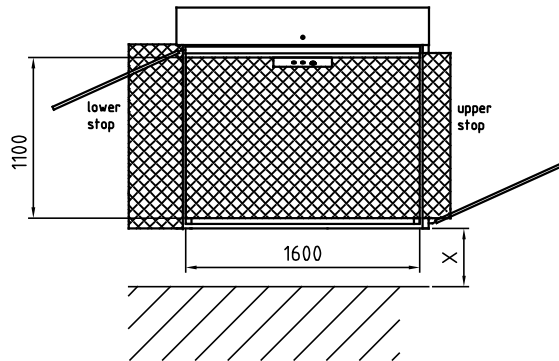


DOOR CONFIGURATION 180-LLL



lifting height hp [mm]	total height H [mm]
260-560	1760
560-810	2010
810-1060	2260
1060-1310	2510
1310-1560	2760
1560-1810	3010
1810-2060	3260
2060-2310	3510
2310-2560	3760
2560-2810	4010
2810-2999	4260

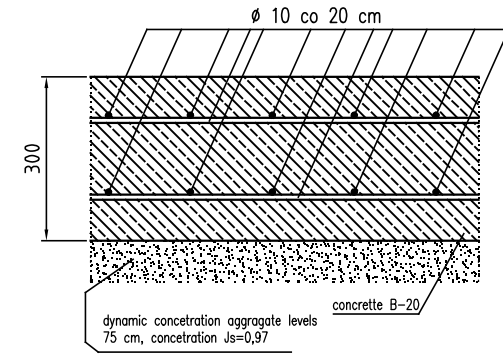
Safe gap "X" for platforms 180° entries:

$X \geq 400$  - distance between platform moving elements and near "cut edge".

$X = \text{min. } 120$  distance between platform moving elements and near smooth vertical wall.

$20 < X < 120$  - distance between platform moving elements and smooth vertical wall if additional safety bar used.

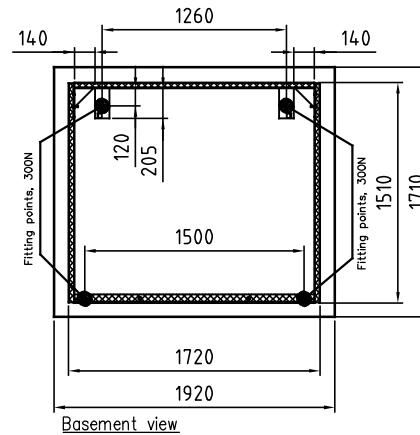
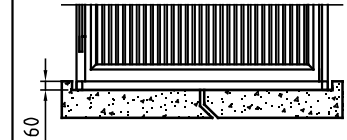
SAMPLE PIT DRAWING



OPTION 1 - RAMP (NO PIT)

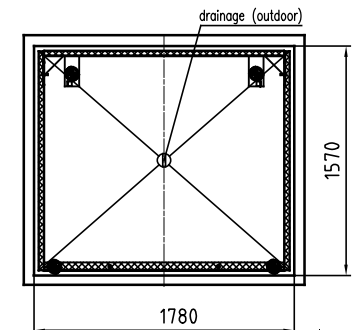


OPTION 2 - PIT (NO RAMP)



Basement view

Max. slope 1% from wall direction



Pit view

Max. slope 1% in the middle of pit. Pit dimensions should be made 60mm bigger than external dimensions of the platform

The force acting on the surface under the platform 7kN



EOS ID

B385-1100x1600\_180-LLL (EN)

Tender no

Order no

Date

Time