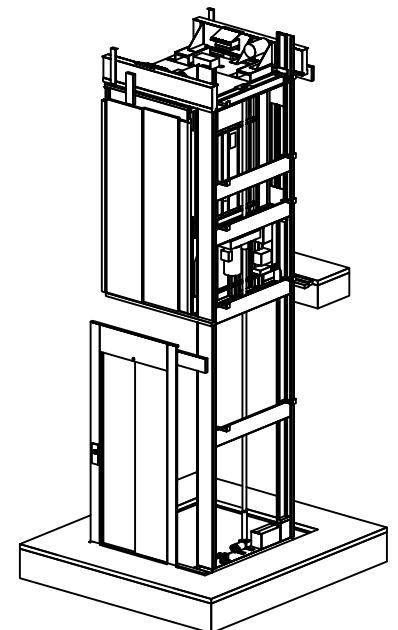
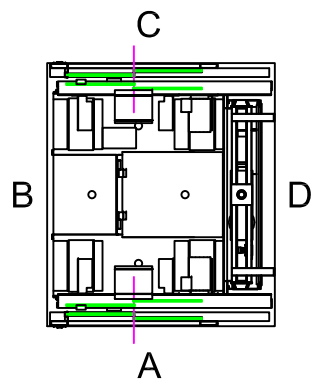


Positioning of machinery:



Options
 4 kW Frekv 3x400V 50-60 Hz Soft
 Capacity: 400,00 kg

Approved by
 builder:

European view placement:



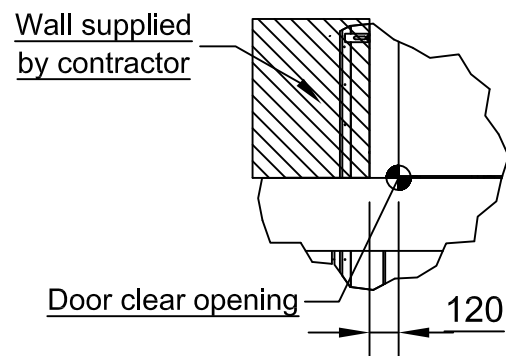
Tender no	Principal drawing		
Order no	A4 Cabina - 1100*1400		
Gen. Tolerances	Date	1 of 6	Scale:
SS-ISO 27681-1 m	2018-11-01		A3, 1:1

Shaft cutout sizes

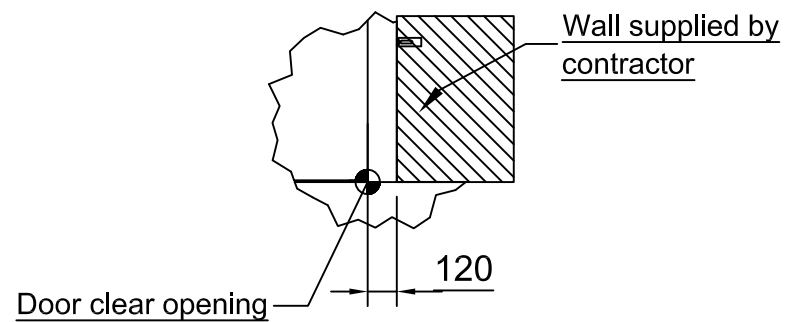
Scale: 1:50

Scale: 1:50

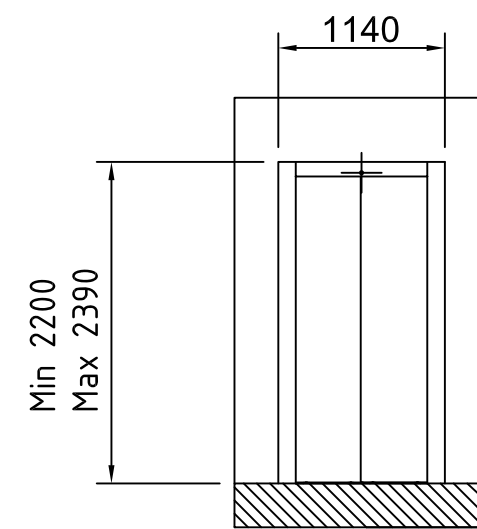
C1 (1:30)



A0 (1:30)



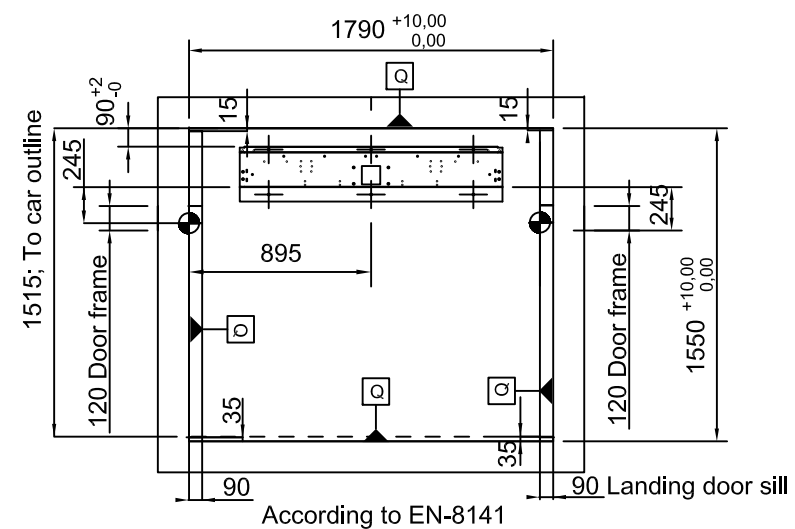
Door cut out



⊥|m|Q

390 inside shaft, mast side to door cut out

70 mm pit depth + 10 mm, - 0 mm.
Bottom surface must be flat



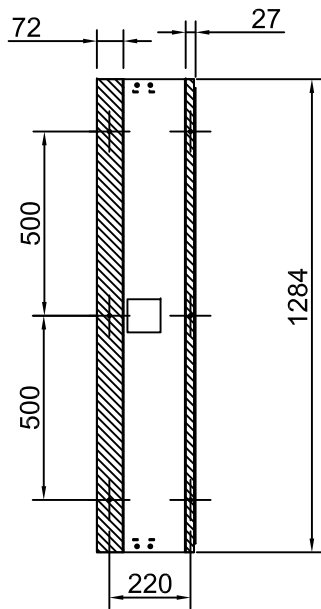
Approved by builder: _____			Tender no		Principal drawing A4 Cabina - 1100*1400 Cut out sizes
			Order no		
European view placement:	Gen. Tolerances SS-ISO 27681-1 m		Date 2018-11-01	2 of 6	Scale: A3, 1:1

Loads sustained by shaft and platform
and fixing points bottom frame

Recommended positioning of fixing points. Note: general view

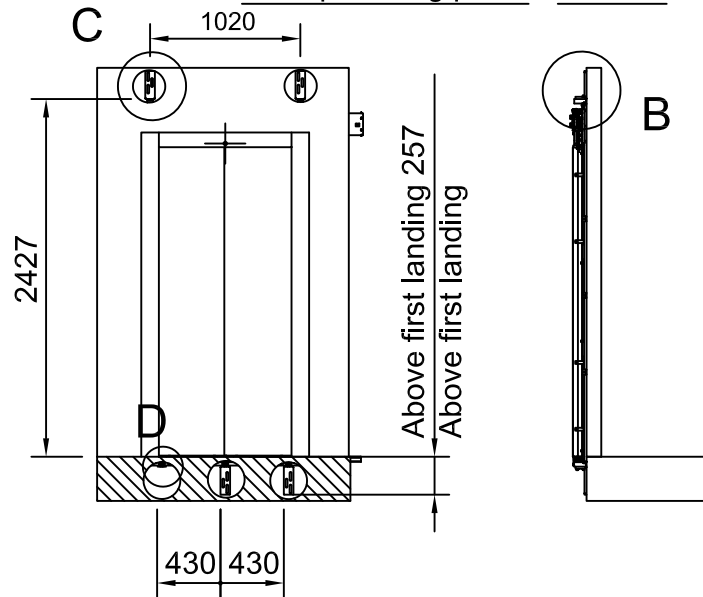
Loads per fixing point, $F=1250\text{ N}$

▨ Pit Load: 110 kN/m^2

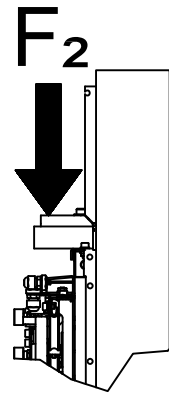


Scale: 1:20

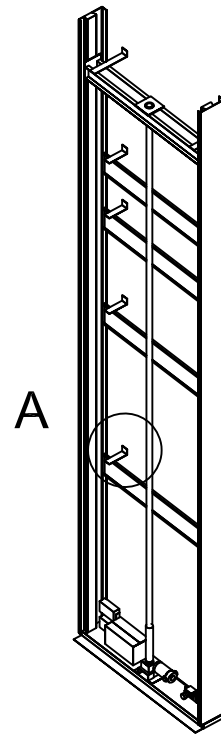
Landing door fixing points.
Number of fixing points: 5
Load per fixing point: $F_2=150\text{ N}$



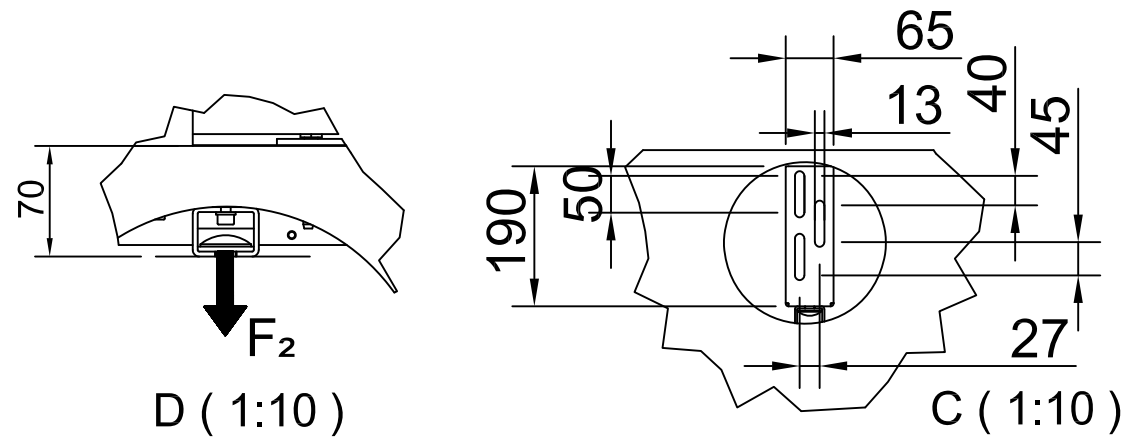
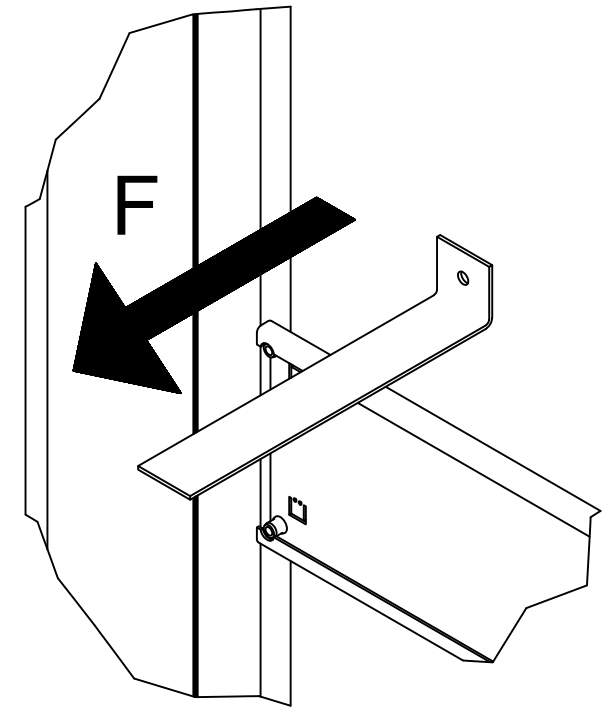
B (1:10)



Scale: 1:50





A (1:5)



D (1:10)

C (1:10)

Approved by builder: _____		Tender no		Principal drawing A4 Cabina - 1100*1400 Loads and forces	
		Order no			
European view placement: 		Gen. Tolerances SS-ISO 27681-1 m	Date 2018-11-01	3 of 6	Scale: A3, 1:1