

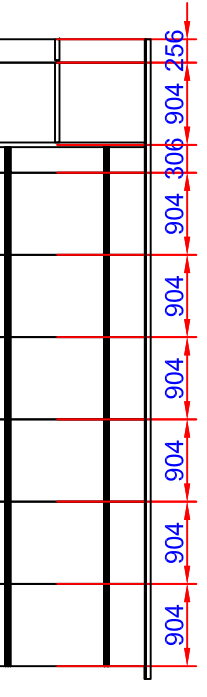
A

B

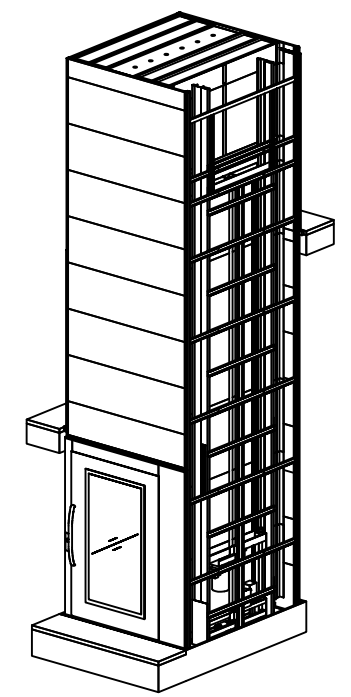
C

D

130 mm pit depth



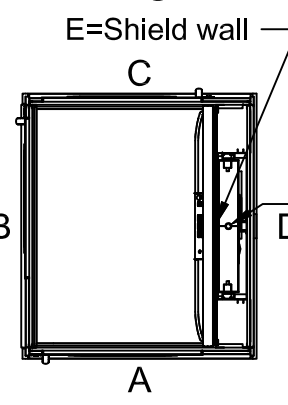
E



Options  
 4 kW Frekv 3x400V 50-60 Hz Soft  
 Capacity: 1 000,00 kg

\*To be adapted on site  
 \*\*Customized panel

Positioning of machinery:



At the start of the lift installation a lifting eye bolt for a rated load of 500 kg has to be provided at the position of the symbol marked on the drawing

Approved by builder:  
 \_\_\_\_\_

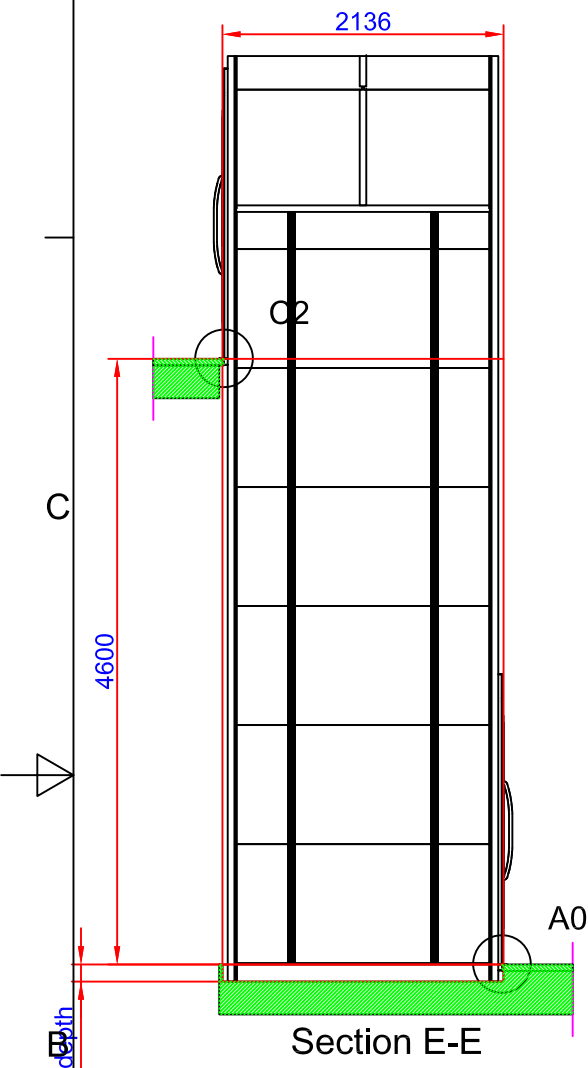
European view placement:



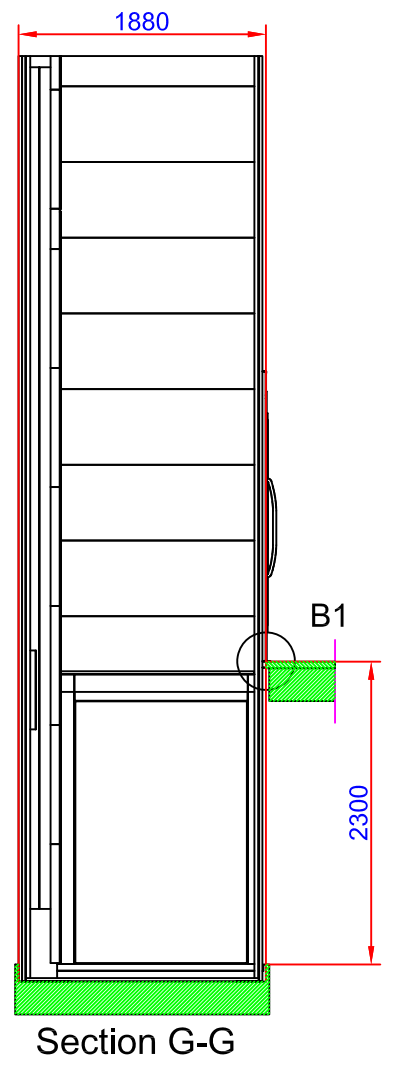
Tender no	Principal drawing		
Order no	A4 Flexa-Mille - 1405*1980 Shaft drawing		
Gen. Tolerances	Date	sheet	Scale:
SS-ISO 27681-1 m	2018-11-01	1 of 7	A3, 1:1

# Shaft cutout sizes

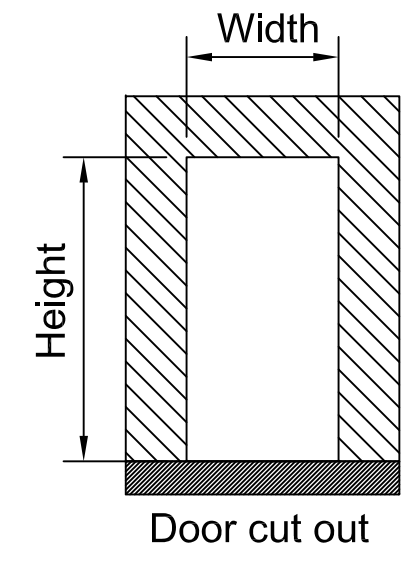
Door front cutout sizes		
Landing	Width	Height
A 0	1855	2250
B 1	2080	2250
C 2	1855	2250



Section E-E

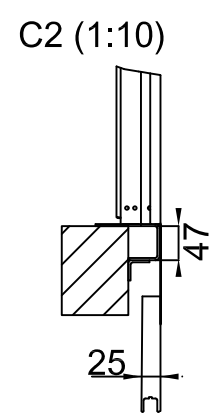


Section G-G

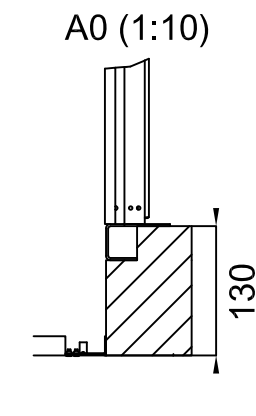


Door cut out

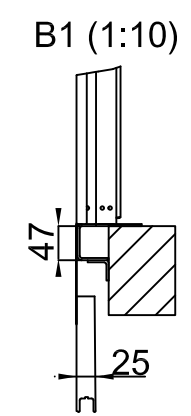
130 mm pit depth. Bottom surface must be flat + 10 mm



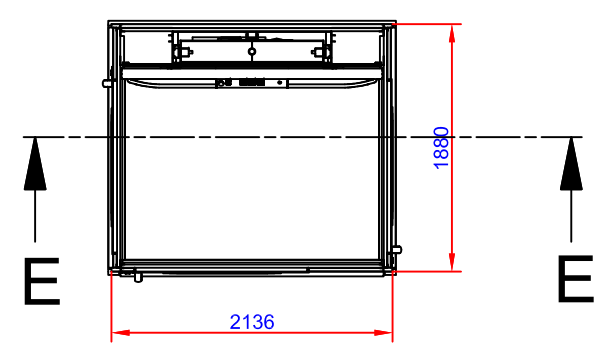
C2 (1:10)



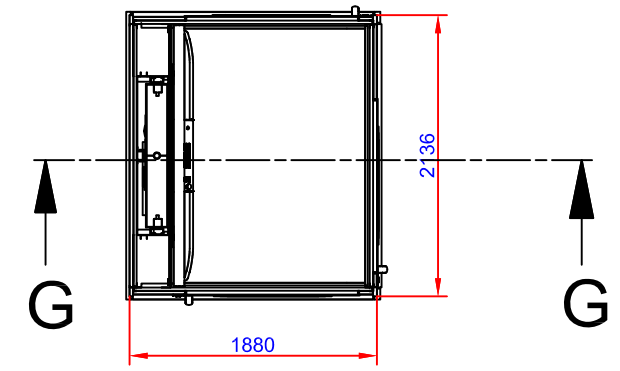
A0 (1:10)



B1 (1:10)



E



G

Approved by builder:  
\_\_\_\_\_

European view placement:



Tender no	Principal drawing		
Order no	A4 Flexa-Mille - 1405*1980		
Gen. Tolerances	Date	sheet	Scale:
SS-ISO 27681-1 m	2018-11-01	2 of 7	A3, 1:1

6 5 4 3 2 1

Loads sustained by shaft and platform  
and fixing points bottom frame

Recommended positioning of fixing points.  
Loads per fixing point, F = 4 kN

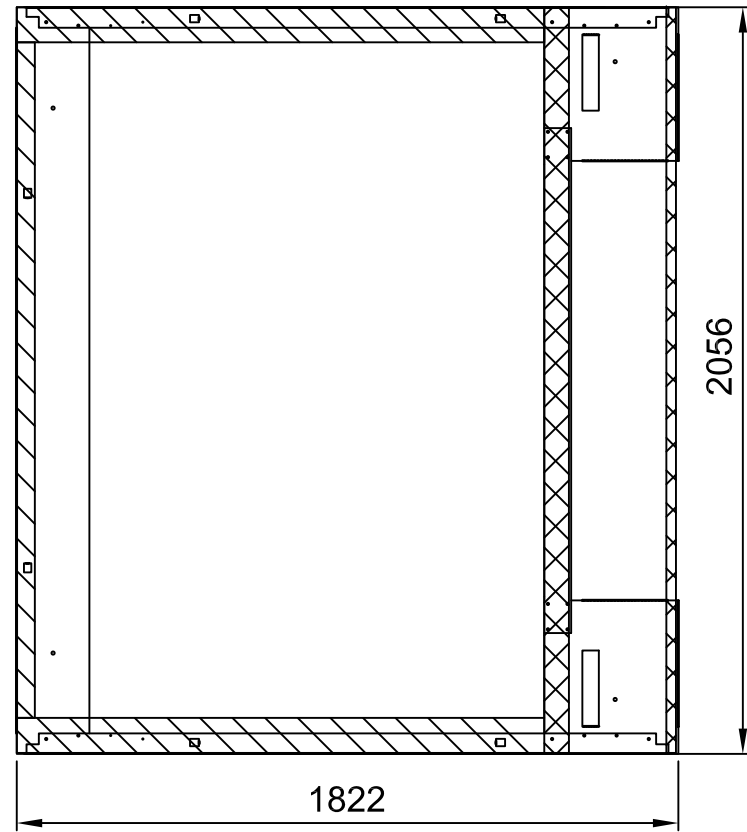
**A ( 1 : 5 )**



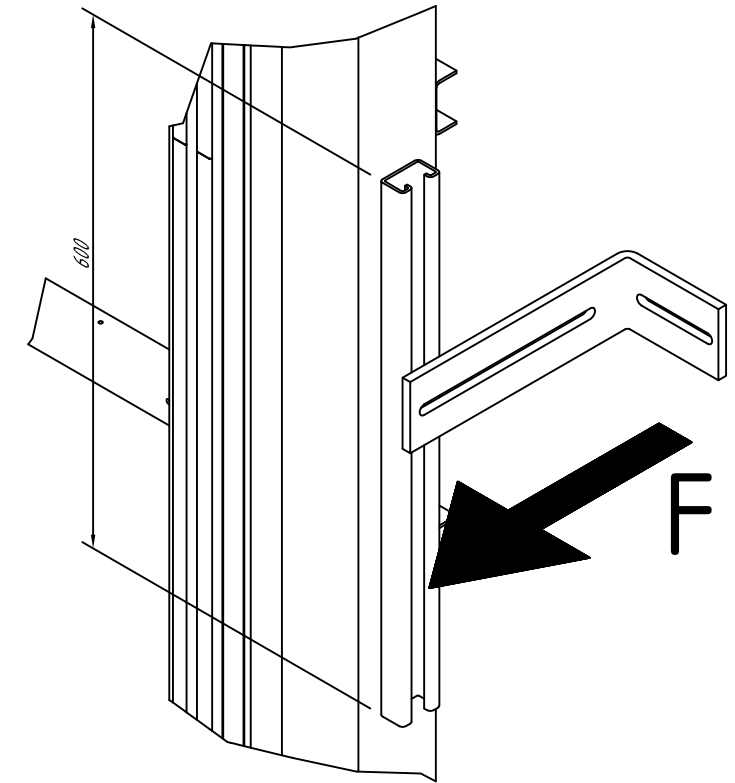
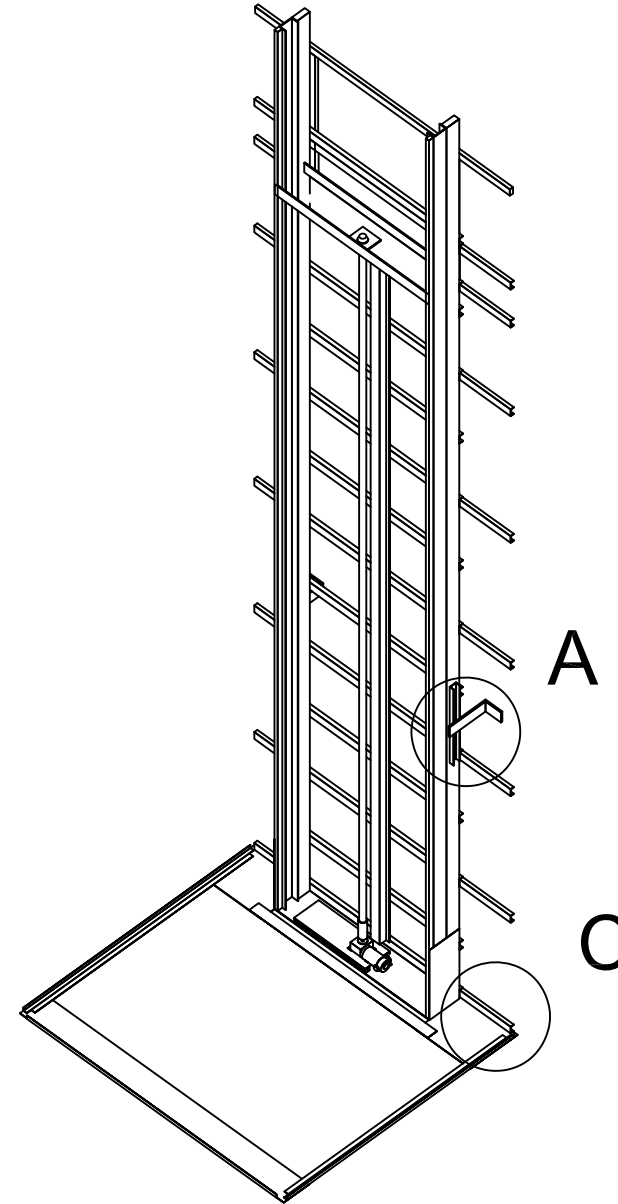
L section force: 3,48 kN  
L section load: 11,41 kN/m<sup>2</sup>



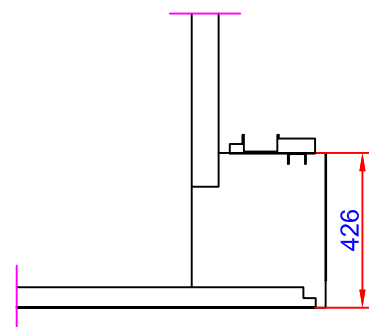
Mast force: 15,85 kN  
Mast load: 127,82 kN/m<sup>2</sup>



Scale: 1:20



**C ( 1 : 20 )**



Approved by builder:  _____	<b>KALEA</b> LIFTS	Tender no		<b>Principal drawing</b> A4 Flexa-Mille - 1405*1980 Loads and forces	
		Order no			
European view placement:		Gen. Tolerances SS-ISO 27681-1 m	Date 2018-11-01	sheet 3 of 7	Scale: A3, 1:1

6 5 4 3 2 1