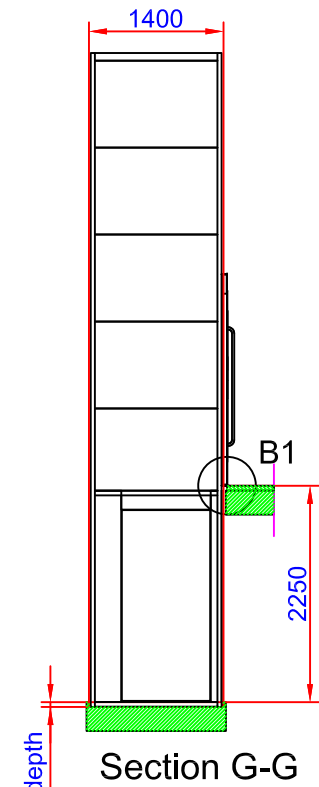
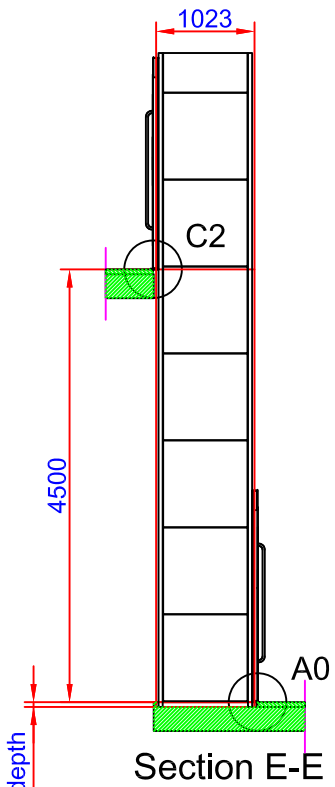
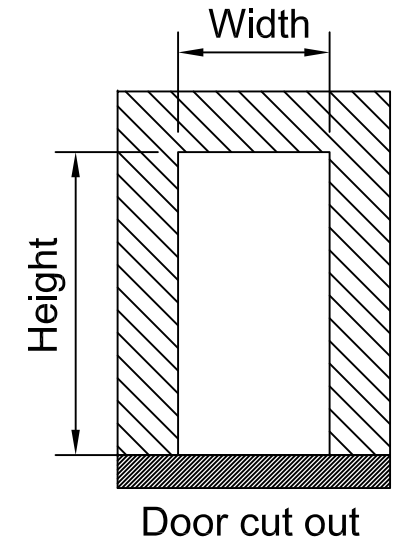




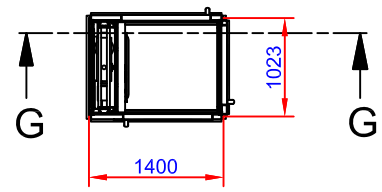
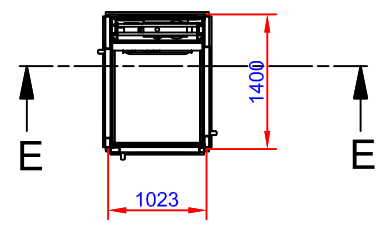
# Shaft cutout sizes

Lift unit installed within a shaft by others

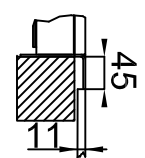
Door front cutout sizes		
Landing	Width	Height
A 0	1430	2250
B 1	1043	2250
C 2	1430	2250



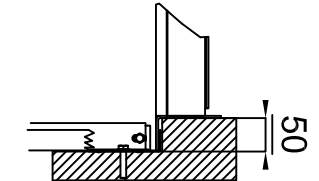
50 mm pit depth + 10 mm, - 0 mm.  
Bottom surface must be flat



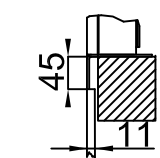
C2 (1:10)



A0 (1:10)



B1 (1:10)



Approved by builder:  
\_\_\_\_\_

European view placement:



Tender no

Order no

Gen. Tolerances

SS-ISO 27681-1 m

Principal drawing

A4 Mini - 1000\*930

Cut out sizes

Date

2018-10-31

sheet

2 of 7

Scale:

A3, 1:60

6 5 4 3 2 1

Loads sustained by shaft and platform  
and fixing points bottom frame

Recommended positioning of fixing points.  
Loads per fixing point, F=250 N

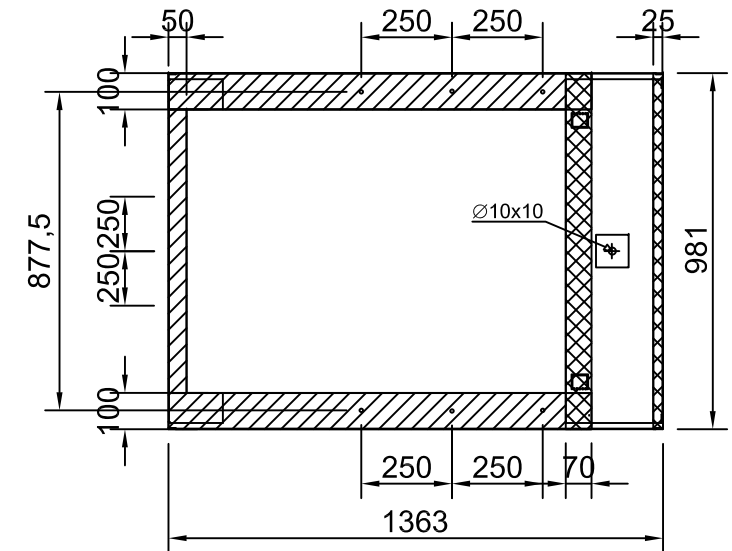
A (1:5)



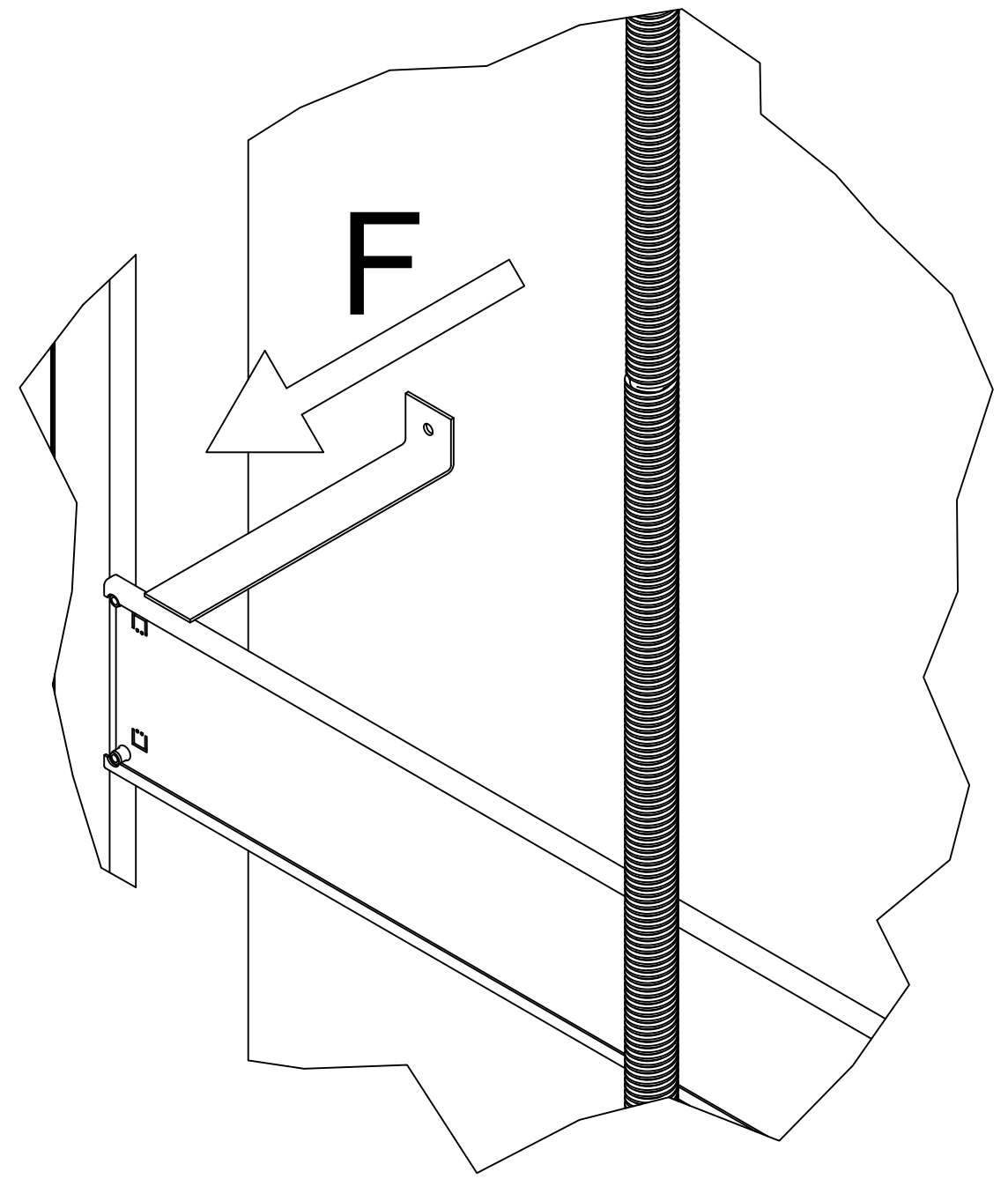
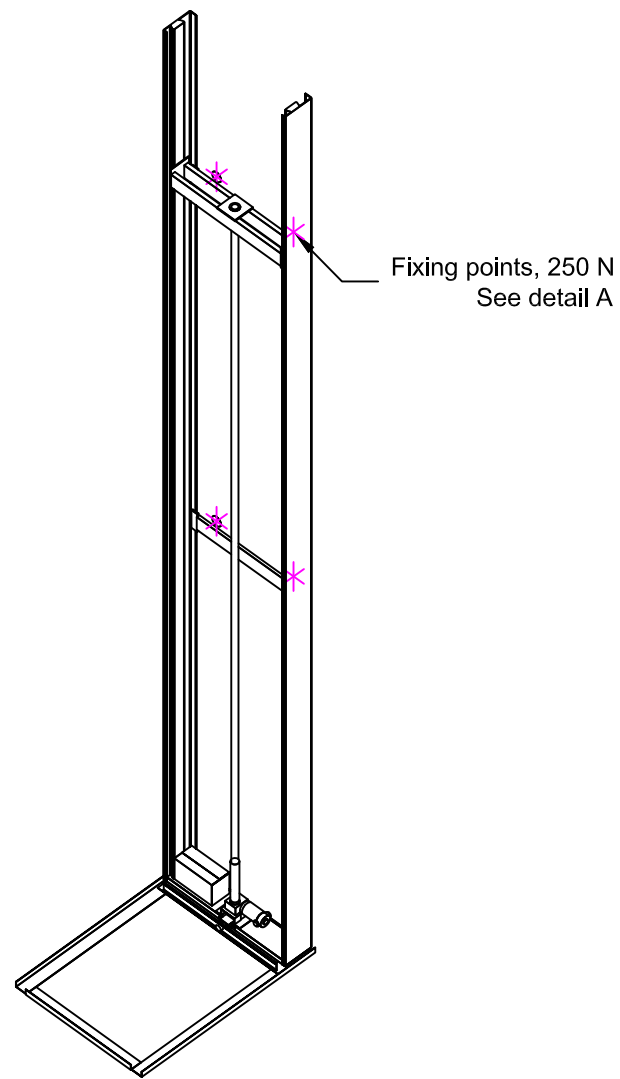
L section force:  
6,54 kN  
L section load:  
21,44 kN/m<sup>2</sup>



Mast force: 8,32 kN  
Mast load: 67,1 kN/m<sup>2</sup>



Scale: 1:20



D  
C  
B  
A

D  
C  
B  
A

Approved by builder:  _____			Tender no		<b>Principal drawing</b> A4 Mini - 1000*930 Loads and forces	
			Order no			
European view placement:	Gen. Tolerances SS-ISO 27681-1 m	Date 2018-10-31	sheet 3 of 7	Scale: A3, 1:60		

6 5 4 3 2 1