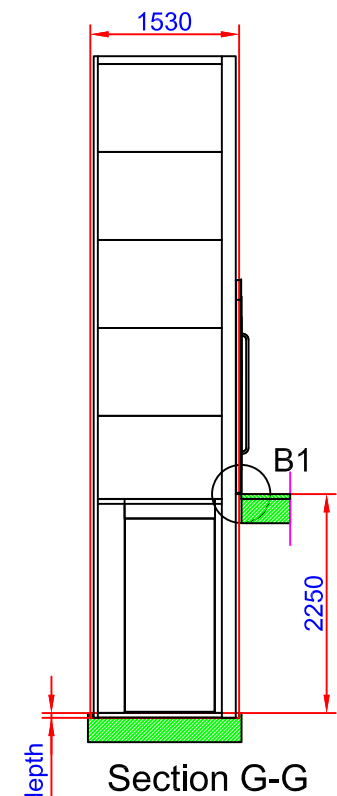
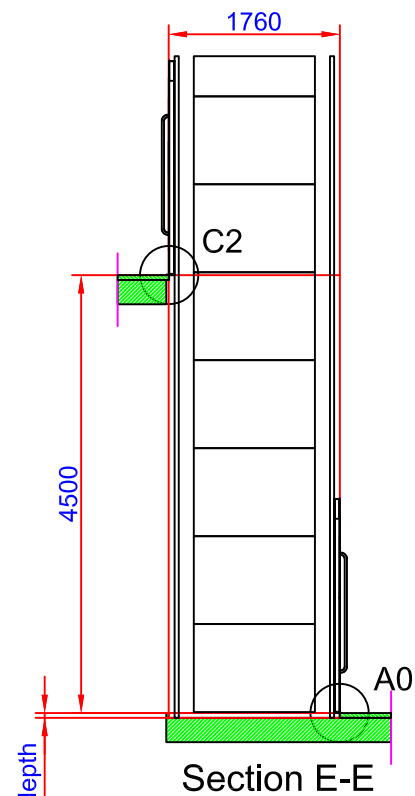
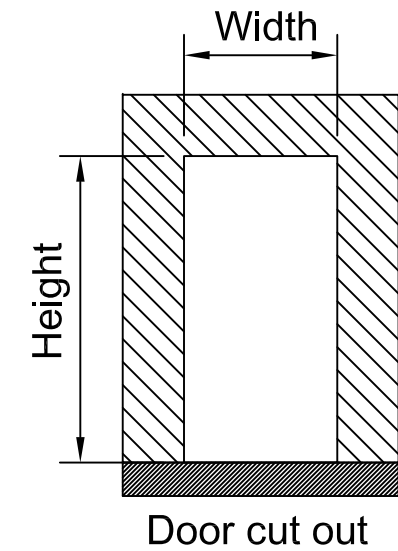


Shaft cutout sizes

Lift unit installed within a shaft by others

Door front cutout sizes		
Landing	Width	Height
A 0	1530	2250
B 1	1760	2250
C 2	1530	2250

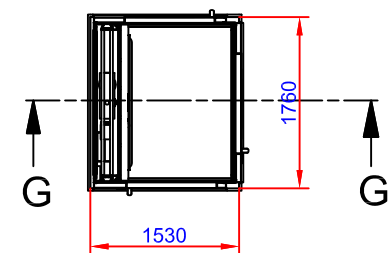
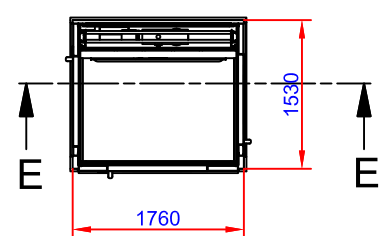
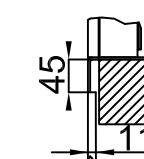
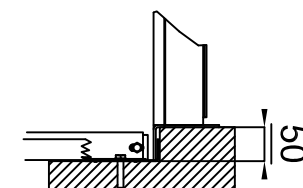
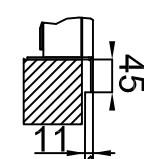


50 mm pit depth + 10 mm, - 0 mm.
Bottom surface must be flat

C2 (1:10)

A0 (1:10)

B1 (1:10)



Approved by builder:

European view placement:

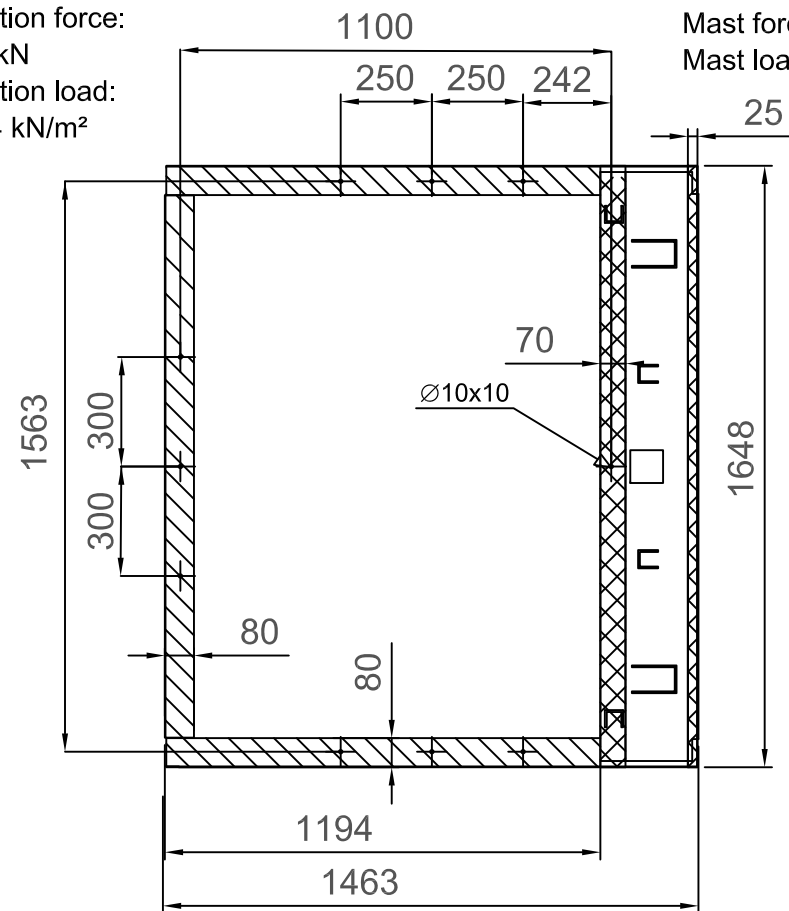


Tender no	Principal drawing A4 Primo - 1100*1597 Cut out sizes		
Order no			
Gen. Tolerances SS-ISO 27681-1 m	Date 2018-11-01	sheet 2 of 7	Scale: A3, 1:60

Loads sustained by shaft and platform
and fixing points bottom frame



L section force:
6,54 kN
L section load:
21,44 kN/m²

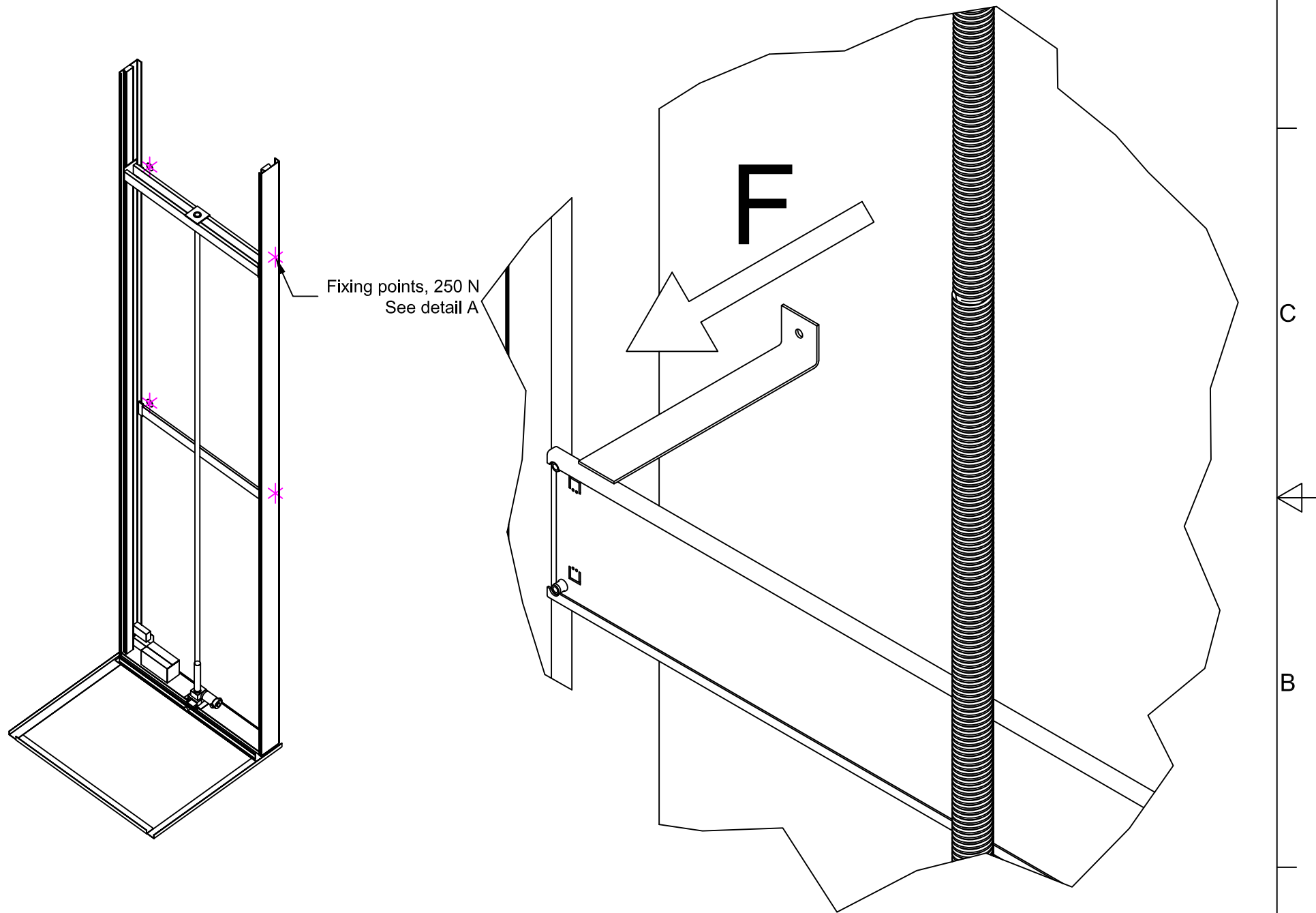


Scale: 1:20

Recommended positioning of fixing points.
Loads per fixing point, F=250 N



Mast force: 8,32 kN
Mast load: 67,1 kN/m²



A (1:5)

Approved by
builder:

European view placement:



Tender no

Order no

Gen. Tolerances

SS-ISO 27681-1 m

Principal drawing
A4 Primo - 1100*1597
Loads and forces

Date

2018-11-01

sheet

3 of 7

Scale:

A3, 1:60