

A

B

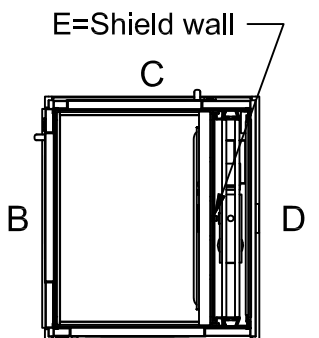
C

D

E

A

Positioning of machinery:



\*To be adapted on site  
\*\*Customized panel

Options  
Frekv 1x230/240V 50-60Hz 16 A Soft  
Capacity: 400,00 kg

Approved by  
builder:



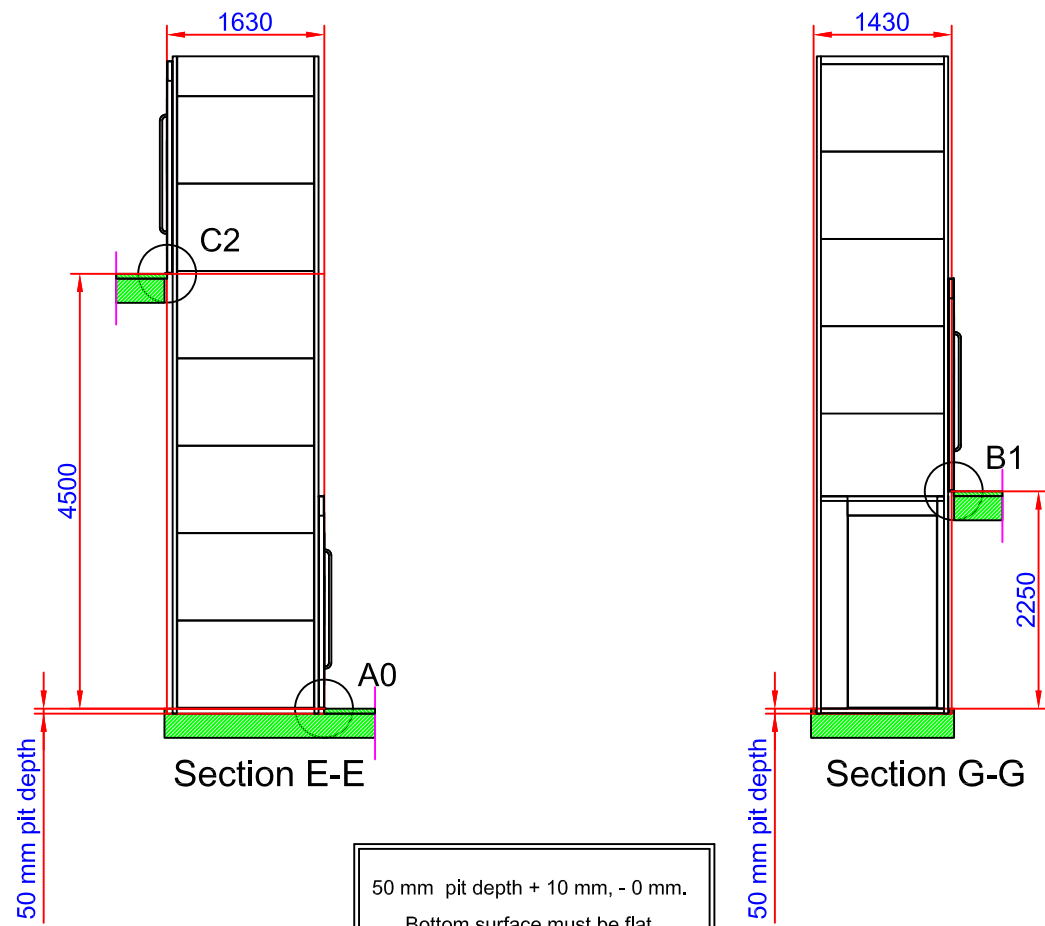
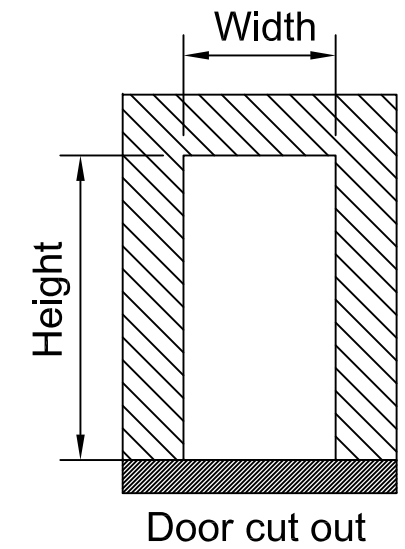
European view placement:

Tender no	Principal drawing		
Order no	A4 Primo - 1000*1467		
Gen. Tolerances	Date	sheet	Scale:
SS-ISO 27681-1 m	2018-10-31	1 of 7	A3, 1:60

# Shaft cutout sizes

Lift unit installed within a shaft by others

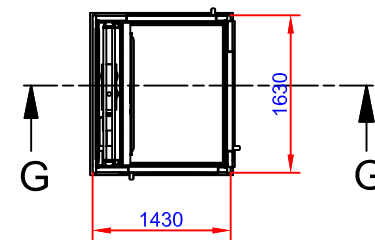
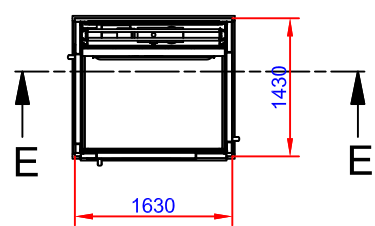
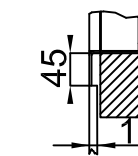
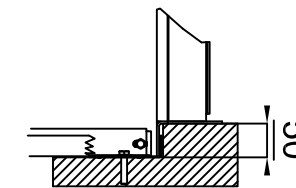
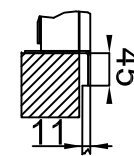
Door front cutout sizes		
Landing	Width	Height
A 0	1430	2250
B 1	1630	2250
C 2	1430	2250



C2 (1:10)

A0 (1:10)

B1 (1:10)



Approved by builder:

European view placement:



Tender no	Principal drawing A4 Primo - 1000*1467 Cut out sizes		
Order no			
Gen. Tolerances SS-ISO 27681-1 m	Date 2018-10-31	sheet 2 of 7	Scale: A3, 1:60

Loads sustained by shaft and platform  
and fixing points bottom frame

Recommended positioning of fixing points.  
Loads per fixing point, F=250 N

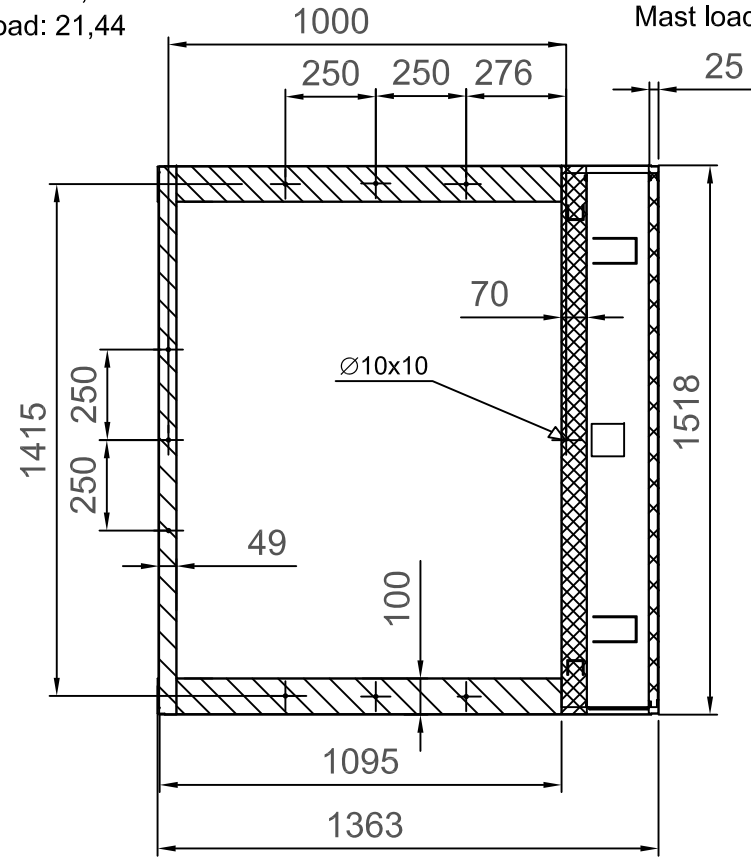
A (1:5)



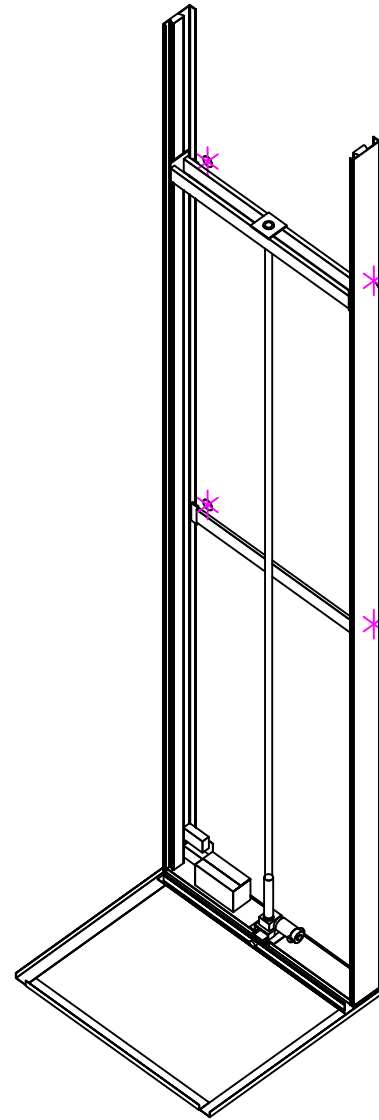
L section force: 6,54 kN  
L section load: 21,44  
kN/m<sup>2</sup>



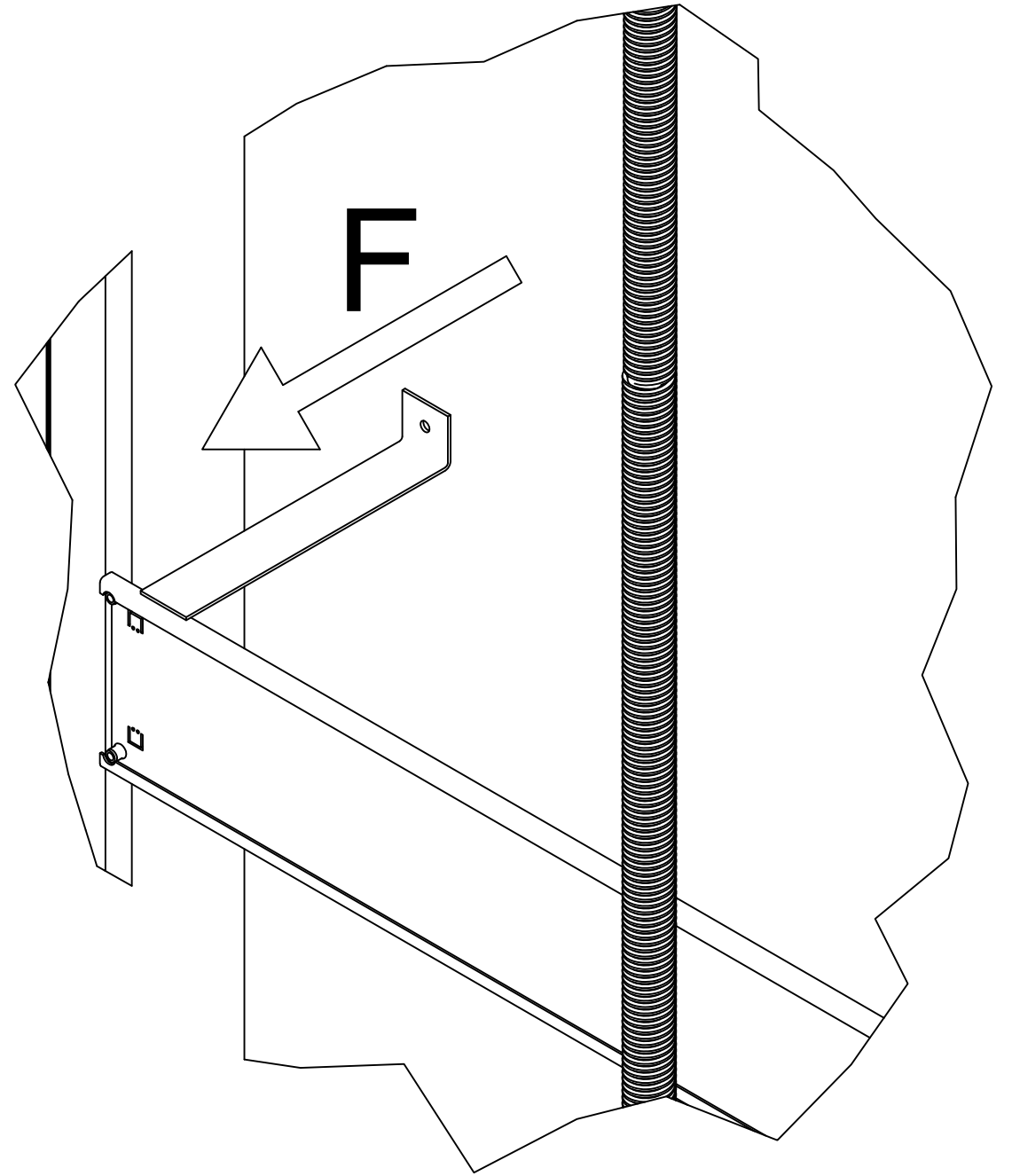
Mast force: 7,32 kN  
Mast load: 59,03 kN/m<sup>2</sup>



Scale: 1:20



Fixing points, 250 N  
See detail A



Approved by builder:  _____			Tender no		<b>Principal drawing</b> A4 Primo - 1000*1467 Loads and forces	
			Order no			
European view placement:	Gen. Tolerances SS-ISO 27681-1 m		Date 2018-10-31	sheet 3 of 7	Scale: A3, 1:60	