



# Kalea SwingOn

Kalea SwingOn is a unique lift, designed to suit public, commercial and private building entrances.

## The perfect entrance lift

---

- Swedish design and quality
- Requires little space
- Silent, smooth operation
- Can lift and turn around corners
- Easy to install and maintain
- Adapted to outdoor conditions
- Rated load 300 kg
- Travel 500 mm



# Optimal accessibility and simplicity with Kalea SwingOn

At Kalea Lifts, we feel it's our responsibility to offer people with limited mobility the opportunity to move between building levels. We believe that every individual customer should have their special needs satisfied. The Kalea name acts as a guarantee of the highest possible functionality and quality.



## A SIMPLE AND DISCREET STAIRLIFT FOR SMALL HEIGHT DIFFERENCES

Kalea SwingOn is the solution where ramps or traditional stairlifts cannot be used. Kalea SwingOn can lift and turn. When the lift is not in use, it folds itself neatly up against the wall. This unique mechanical solution makes Kalea SwingOn perfect for building entrances facing the street.

## FAST INSTALLATION AND EASY MAINTENANCE

Kalea SwingOn is easy to install. Fixed either to the wall or mounted on a post, the lift can be installed in one day.

The construction is robust and all parts are easily accessible for maintenance.

## THE IDEAL SOLUTION

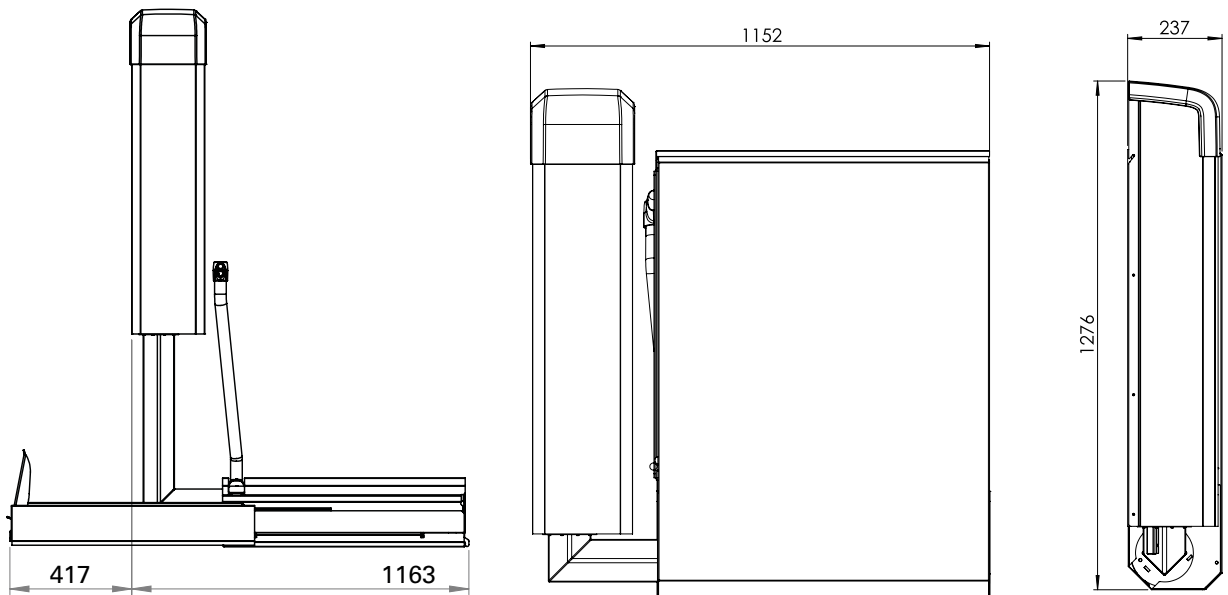
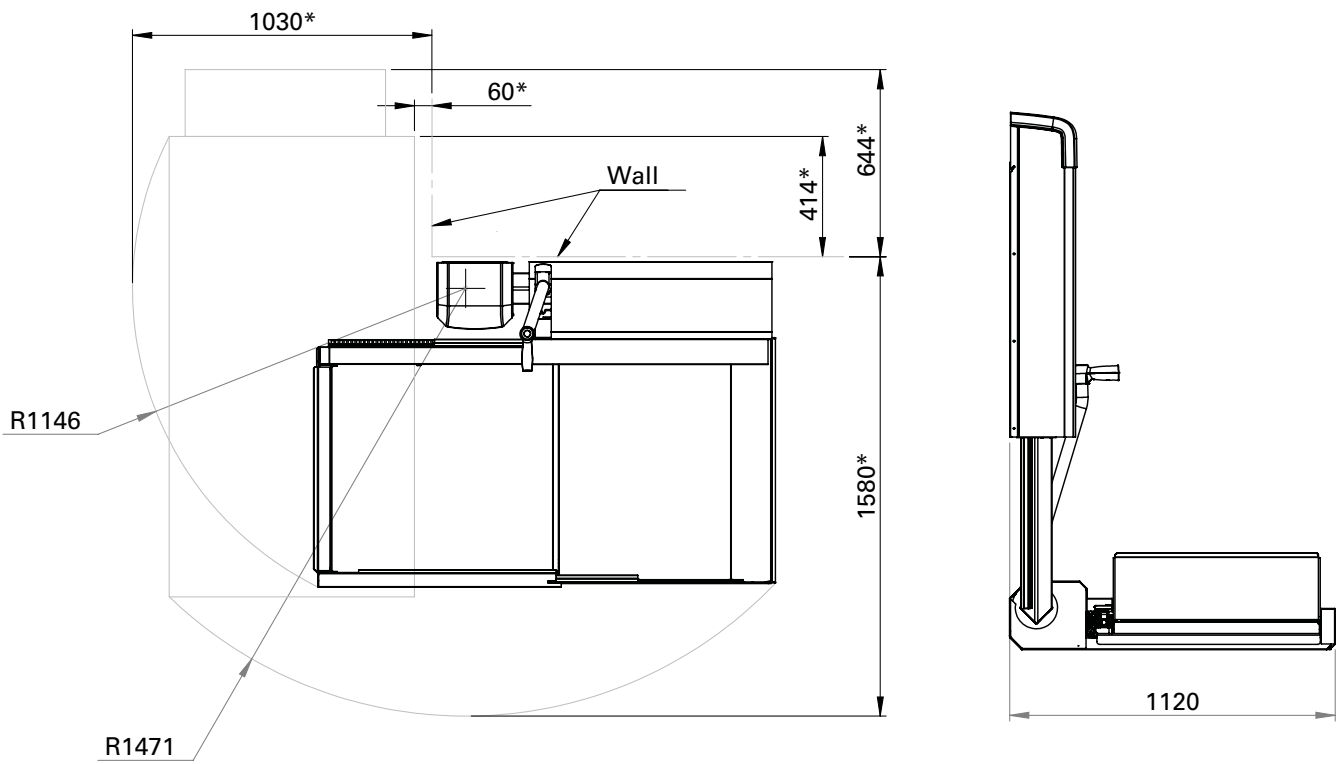
- Where lifts and ramps are not possible
- Where aesthetics are important
- Where accessibility creates business

Characteristics	SwingOn
Lift positioning	Indoors/Outdoors
IP	IP44
Rated load	300 kg
Travel	Max. 500 mm
Folded platform	1160x1290x240 mm
Standard platform measurements (wxhxd) mm	700x830-1400 mm
Max. no. stops	2
Mounting options	Left or right mounted
Speed (m/s)	Max. 0,02
Safety	Overload protection Battery operation
Buttons on platform	Tactile buttons
Call buttons	Buttons with key operated lock
Drive system	Ball screw, worm geared
Control system	Micro-computer based control system
Power supply	1x220/240 VAC, 1 A
Operational voltage	24V DC, battery operated
Operation	Hold-to-run
Machine room	Integrated
RAL finish	Grey RAL 9022, top cover in black
Certification	MD 2006/42/EC
Country of manufacture	Sweden

Only users, shop owners or property owners have access to the lift.  
We do not recommend open use for the general public.

For more detailed information about the product and its accessories, contact Kalea Lifts. The product information is general and we retain the right to change both design and specifications. No requirement should be interpreted as guarantees or conditions, expressly or implicitly, for any product, its suitability for a certain purpose or quality. Minor deviations in colour reproduction may occur.

©Kalea Lifts 2017



\*Dimensions depend on wall bracket and façade. May differ from installation to installation.



# A lift solution from Kalea Lifts is a lift for life!



Our goal is to develop and upgrade our product range to fulfil the growing need for lift solutions for people with impaired mobility. The Kalea name acts as a guarantee of the highest possible functionality and quality.

We see it as our responsibility that people with impaired mobility should be able to move between building levels, and that every individual customer should have their special needs satisfied.

**KALEA LIFTS**  
Utmarksvägen 13  
802 91 Gävle  
Tel: +46(0)26 17 14 00

[www.kalea.se](http://www.kalea.se) • [info@kalea.se](mailto:info@kalea.se)

**KALEA**   
LIFTS  
NEXT LEVEL